

**QTF09H-90FW**

MOST  
**70"-90"**  
MAX VESA 800x600

RATED  
**60-90kg**  
132lbs-198lbs

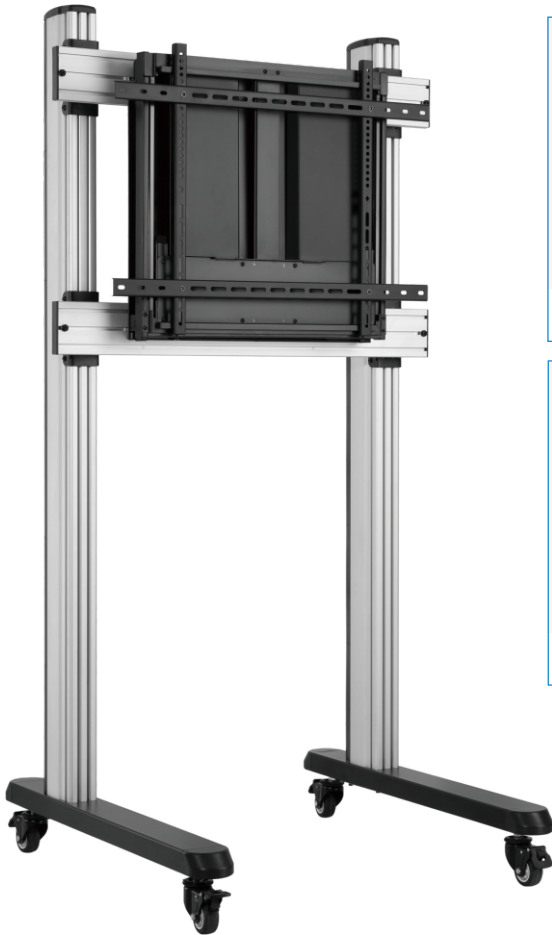
Four Times  
**Strength Tested**

Direction Indicator

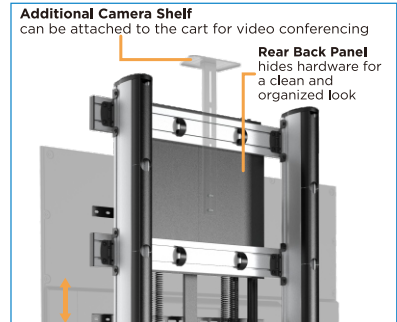
Cable Management

VESA  
Compatible

200x200, 400x200, 300x300,  
400x300, 400x400, 600x400,  
800x400, 800x600

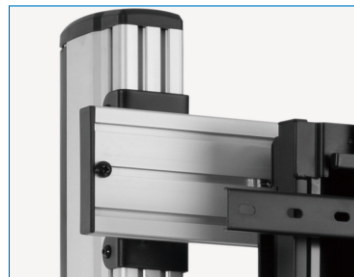


**Spring Counter Balance**  
adjusts with the lightest touch



**Additional Camera Shelf**  
can be attached to the cart for video conferencing

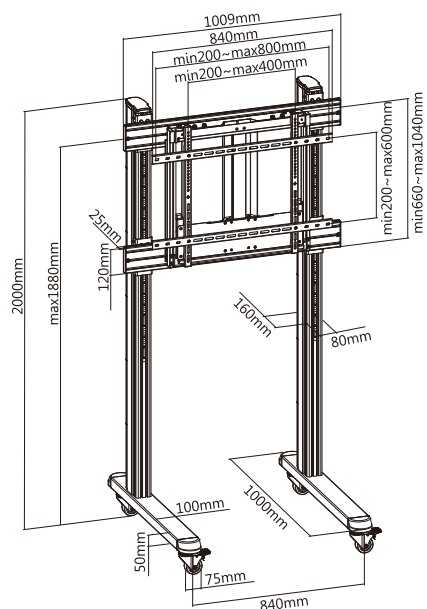
**Rear Back Panel**  
hides hardware for a clean and organized look



**Premium Aluminium Finish**  
great-looking, lightweight with the strength to hold large displays



**Counterbalance Design**  
accommodates display weights from 60kg-90kg



Q-Tee offers the most comprehensive range of brackets and mounts for LED / LCD / OLED and Plasma Displays. Our products are engineered to the highest quality and designed to fit VESA and Non-VESA standards to make installations quick and easy. Regardless of the application, Q-Tee has the solution to suit your requirements for both domestic and commercial applications.

Q-Tee is a registered trademark of 'Quantum Sphere Pty Ltd, PO Box 6077, Dural, NSW 2158, Australia

[www.qsphere.com.au](http://www.qsphere.com.au)



**QUANTUM SPHERE**  
GATEWAY TO EXCELLENCE

