

For most 40"-55" TVs

QVW10-346T

MOST
40"-55"
MAX VESA 600x400

50kg/110lbs(x3)

142mm

**Four Times
Strength
Tested**

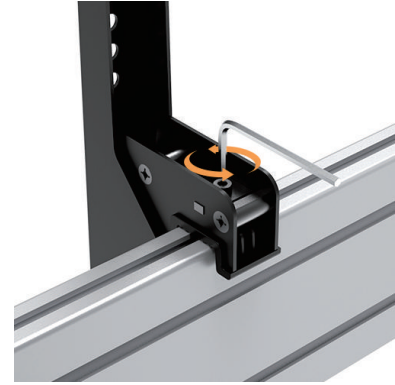
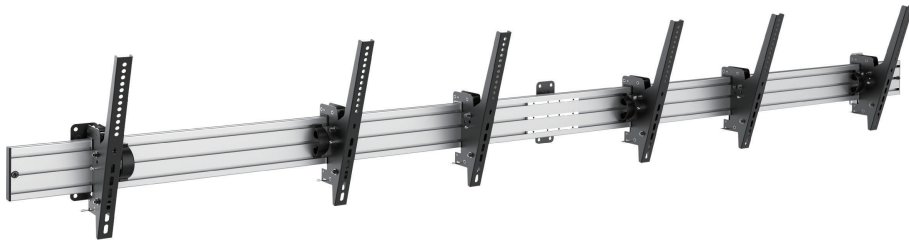
Direction Indicator

Cable Management

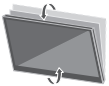
Anti-theft

**VESA
Compatible**

200x200, 400x200,
300x300, 400x400,
600x400

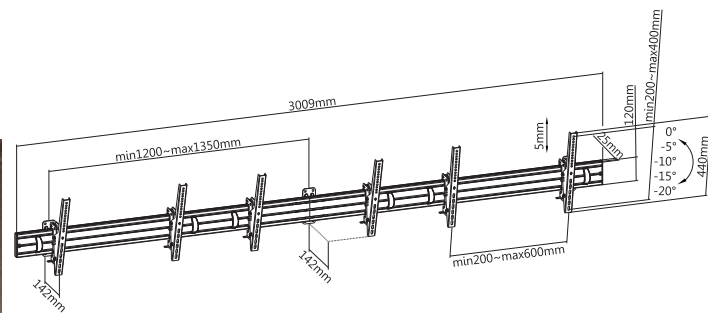


Fine Adjustments on Height



Tilt Range
0°/-5°/-10°/-15°/-20°

Anti-theft Design
perfect for public area
(padlock required)



Q-Tee offers the most comprehensive range of brackets and mounts for LED / LCD / OLED and Plasma Displays. Our products are engineered to the highest quality and designed to fit VESA and Non-VESA standards to make installations quick and easy. Regardless of the application, Q-Tee has the solution to suit your requirements for both domestic and commercial applications.

Q-Tee is a registered trademark of 'Quantum Sphere Pty Ltd, PO Box 6077, Dural, NSW 2158, Australia

www.qsphere.com.au



QUANTUM SPHERE
GATEWAY TO EXCELLENCE