

QW03-46T

MOST
45"-70"
MAX VESA 600x400

RATED
70kg/154lbs

143-306mm

Four Times
Strength
Tested

VESA
Compatible

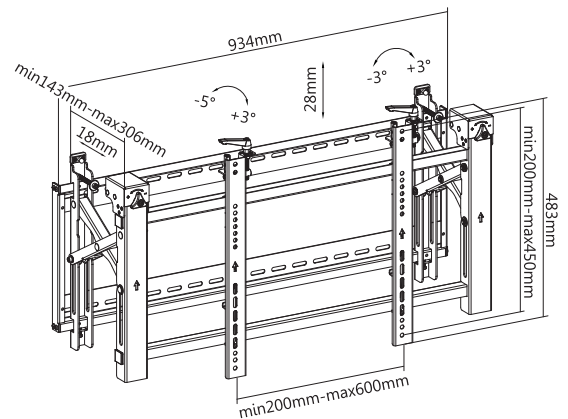
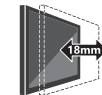
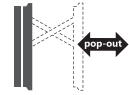
200x200, 400x200
300x300, 400x400, 600x400

Anti-theft

RoHS

 $-5^{\circ} \sim +3^{\circ}$

 $-3^{\circ} \sim +3^{\circ}$



Q-Tee offers the most comprehensive range of brackets and mounts for LED / LCD / OLED and Plasma Displays. Our products are engineered to the highest quality and designed to fit VESA and Non-VESA standards to make installations quick and easy. Regardless of the application, Q-Tee has the solution to suit your requirements for both domestic and commercial applications.

Q-Tee is a registered trademark of 'Quantum Sphere Pty Ltd, PO Box 6077, Dural, NSW 2158, Australia

www.qsphere.com.au