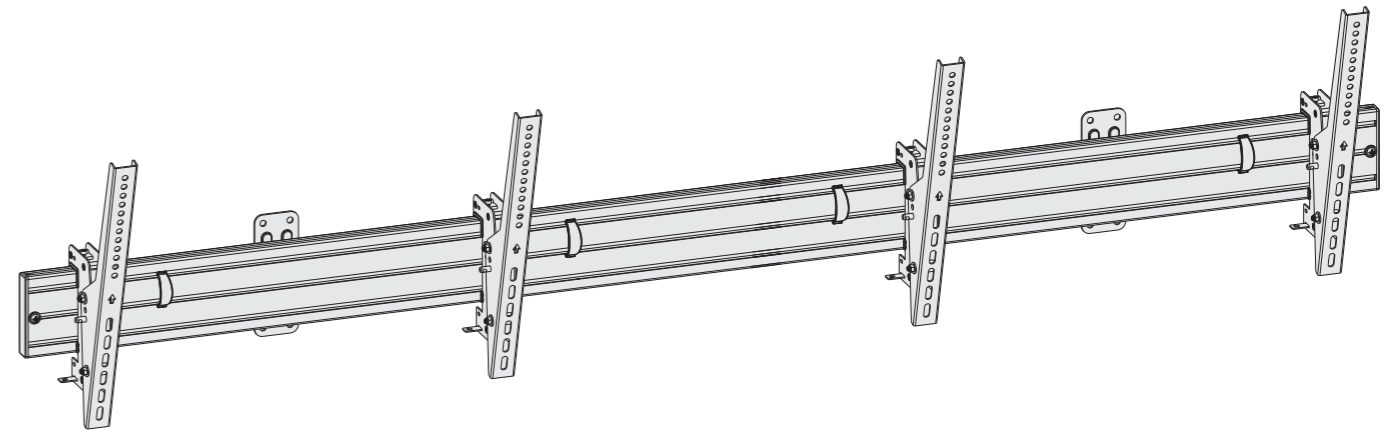


Menu Board Wall Mount



INSTALLATION MANUAL

QVW10-246T



200x200/300x300
400x200/400x400
600x400



rated
50kgx2/110lbsx2

Read the entire instruction manual before you start installation and assembly. If you have any questions regarding any of the instructions or warnings, please contact your local distributor for assistance.

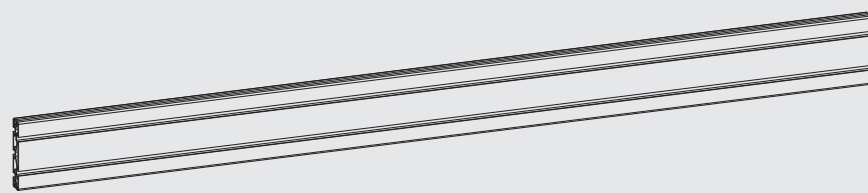
CAUTION

- Use with products heavier than the rated weights indicated may result in instability causing possible injury.
- Please closely follow the assembly instructions. Improper installation may result in damage or serious personal injury.
- Safety gear and proper tools must be used. This product should only be installed by professionals.
- This product is designed to be installed on solid concrete walls or masonry walls.
- Make sure that the supporting surface will safely support the combined weight of the equipment and all attached hardware and components.
- Use the mounting screws provided and **DO NOT OVER TIGHTEN** mounting screws.
- This product contains small items that could be a choking hazard if swallowed. Keep these items away from children.
- This product is intended for indoor use only. Using this product outdoors could lead to product failure and personal injury.

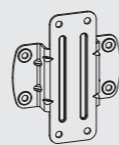
Recommended for Installation



Component Checklist



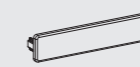
mounting rail (x1)
A



wall plate (x2)
B



TV bracket (x4)
C



end cap (x2)
D



M8x12 (x8)
E



sliding nut (x10)
F



M8x10 (x2)
G



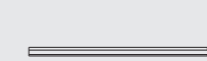
D8 washer (x2)
H



cable clip (x4)
I



locking piece (x4)
J



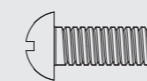
4mm Allen Key (x1)
K



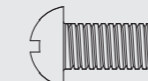
5mm Allen Key (x1)
L

IMPORTANT: Ensure that you have received all parts according to the component checklist prior to installation. If any parts are missing or faulty, contact your place of purchase for a replacement.

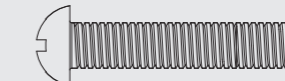
Package M x2



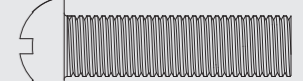
M5x14 (x4)
M-A



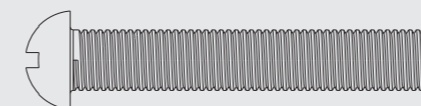
M6x14 (x4)
M-B



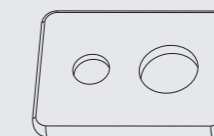
M6x30 (x4)
M-C



M8x30 (x4)
M-D



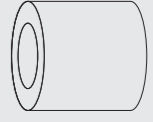
M8x50 (x4)
M-E



washers (x4)
M-F

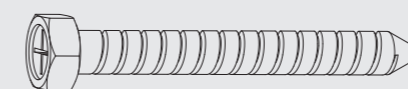


small spacers (x8)
M-G

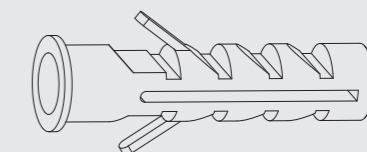


big spacers (x8)
M-H

Package W x2



ST6.3x55 (x4)
W-A

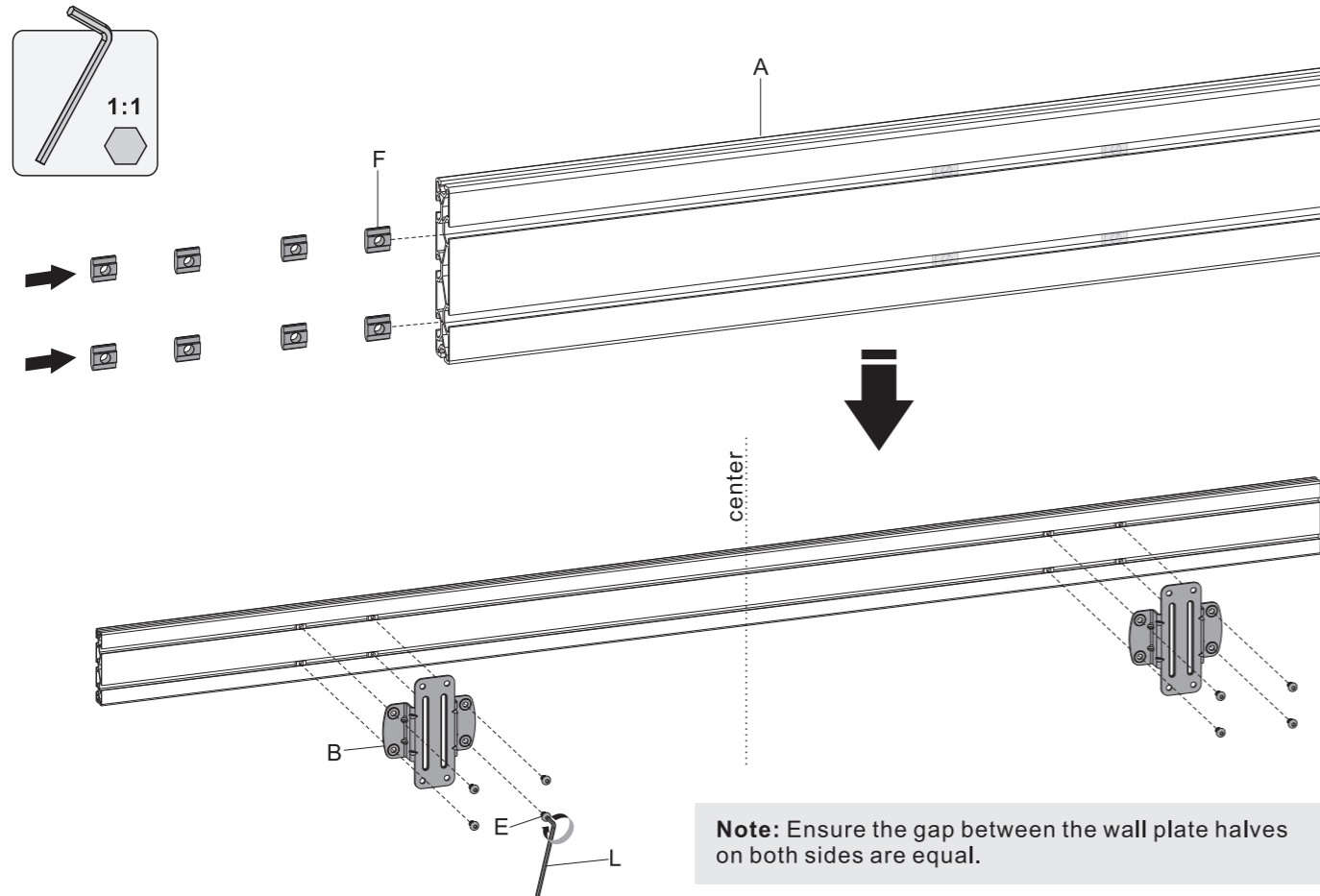


concrete anchors (x4)
W-B

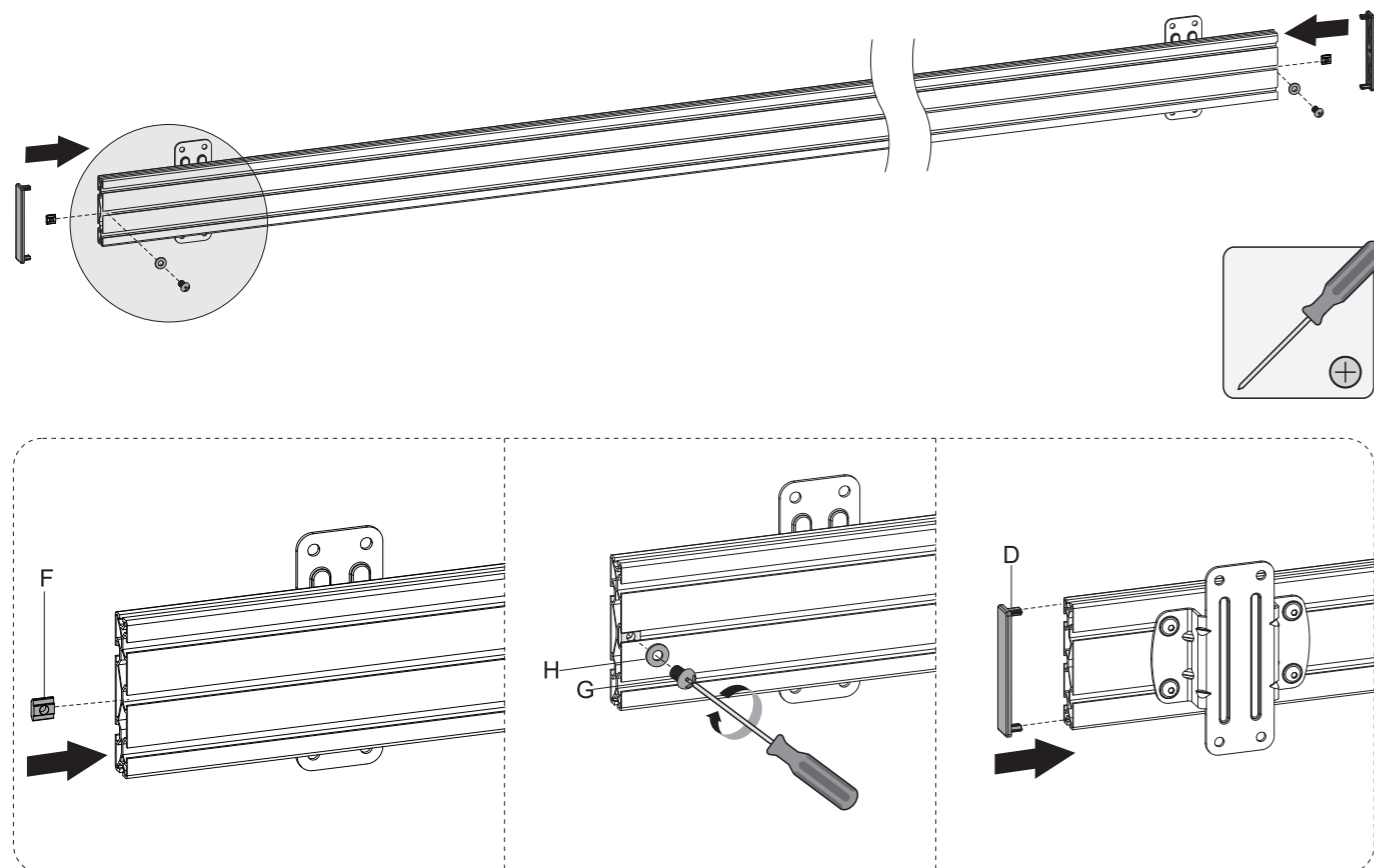


D6 washers (x4)
W-C

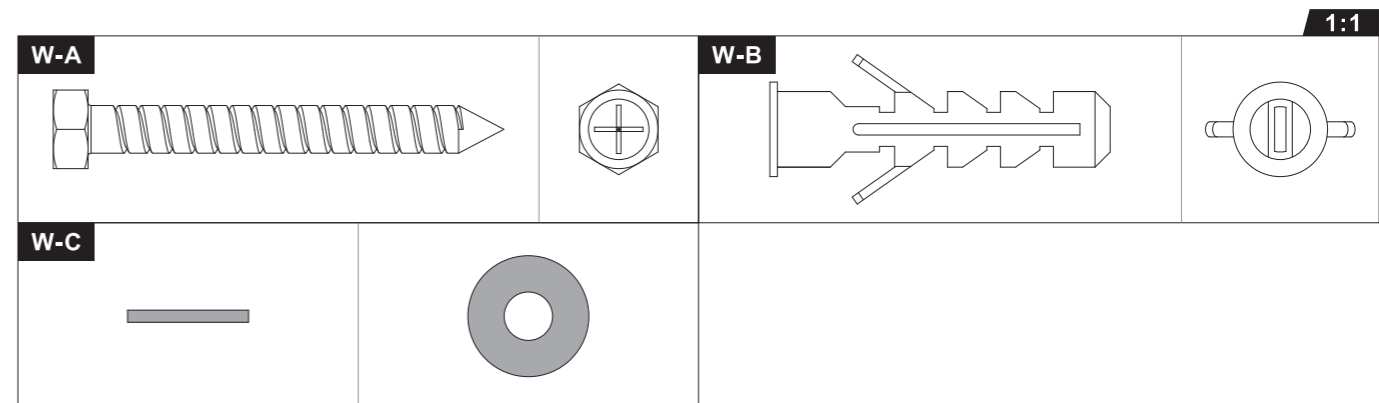
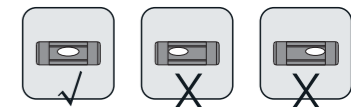
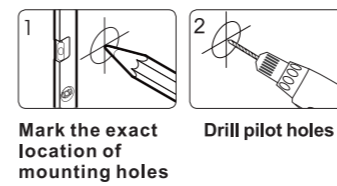
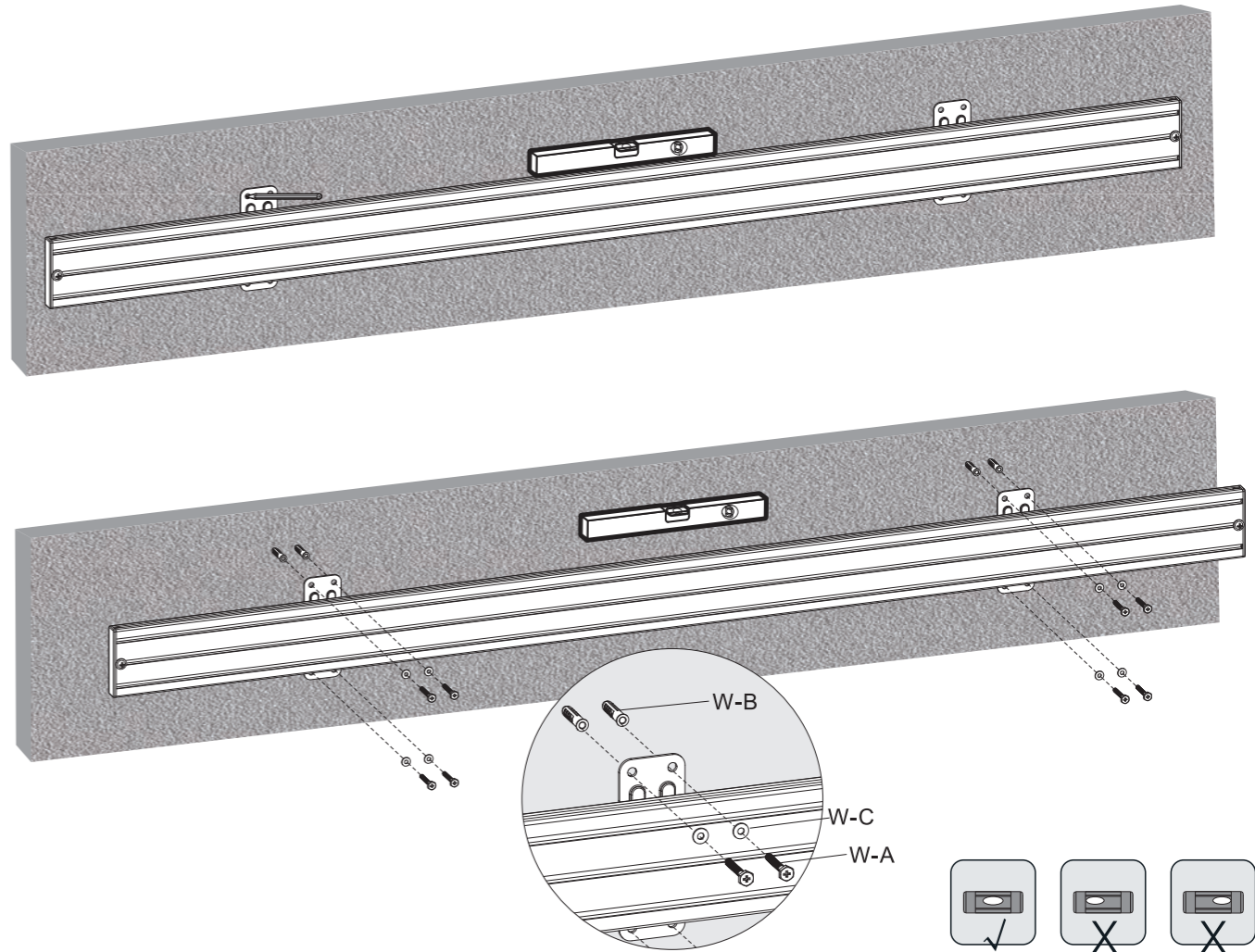
1. Attach Wall Plate to the Mounting Rail



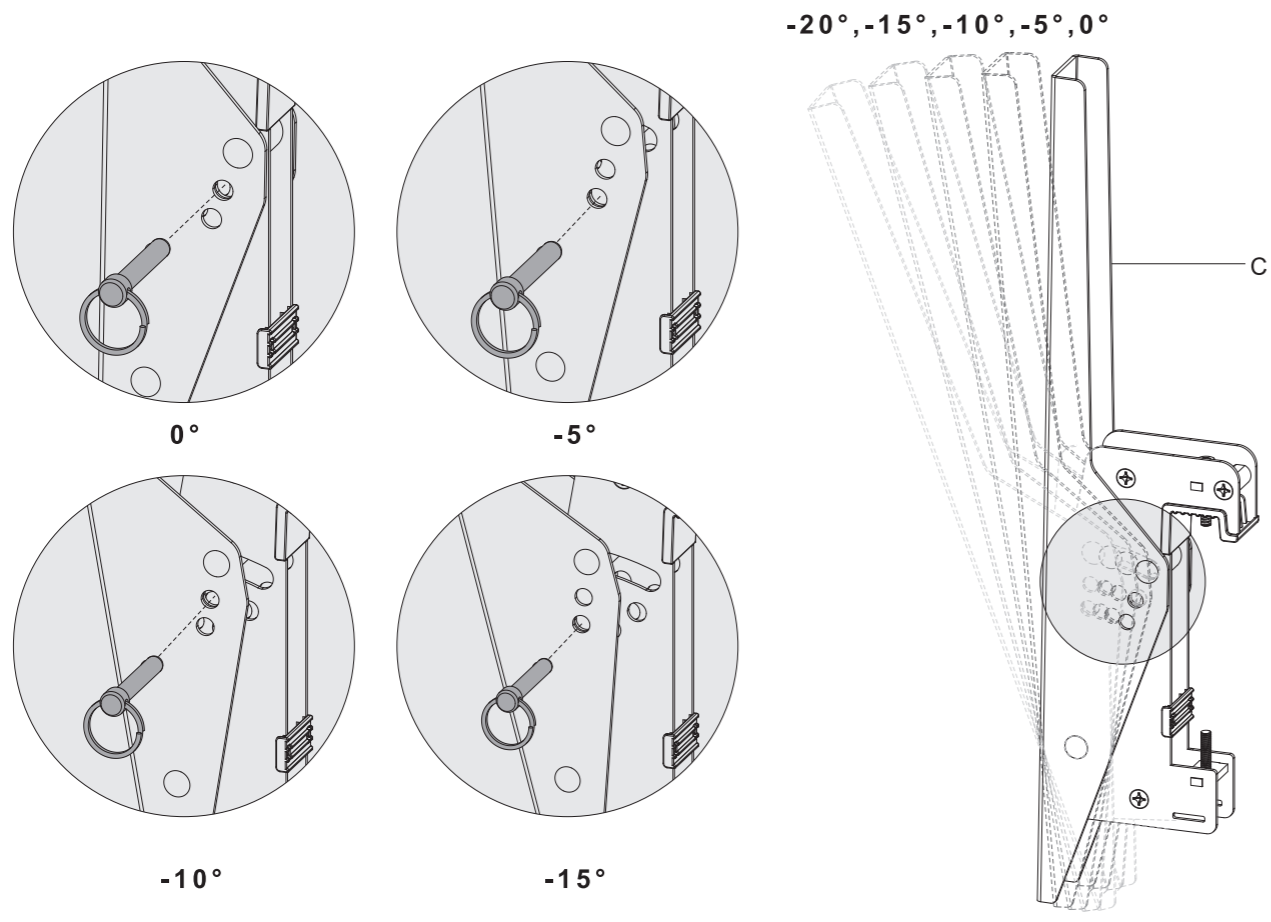
2. Install the End Cap



3. Attach Mounting Rail to Solid Brick or Concrete

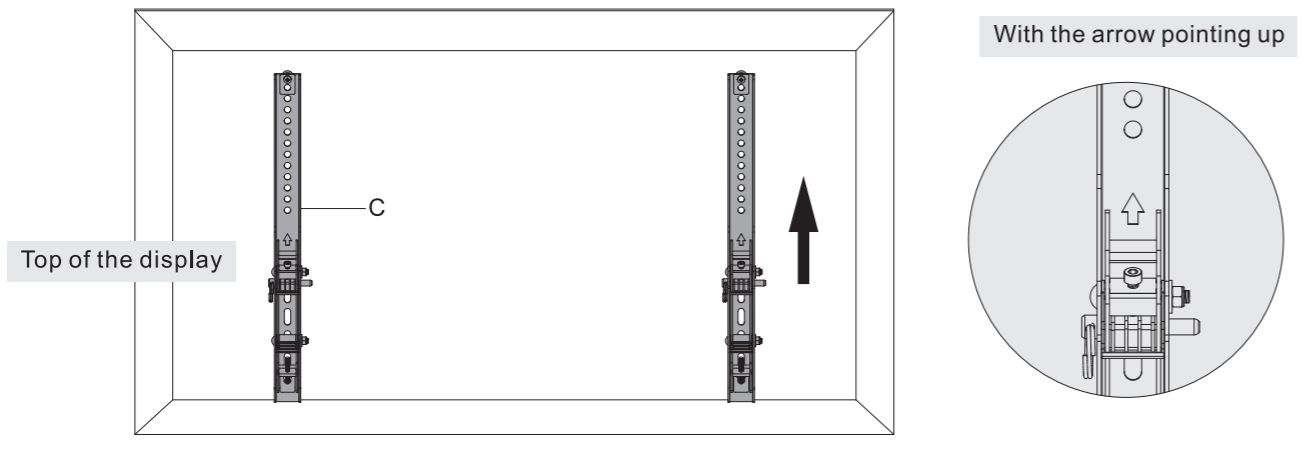


4. Tilt Adjustment

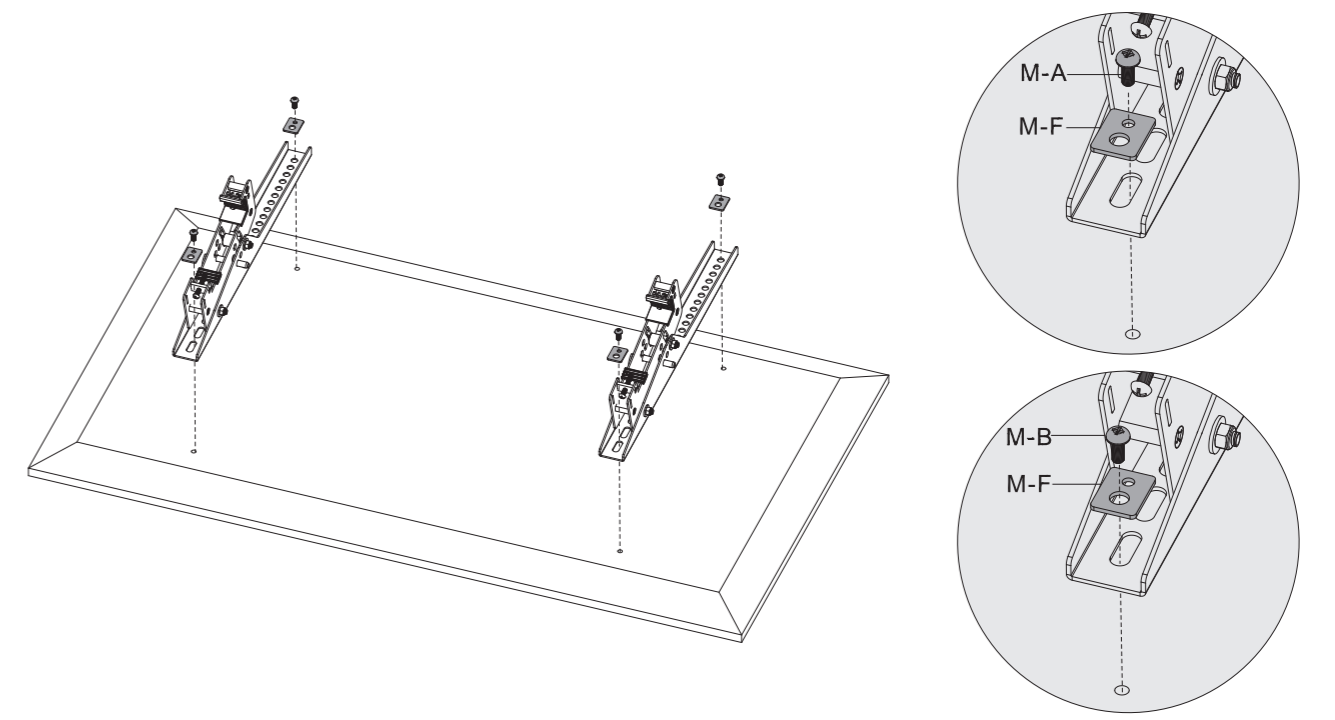


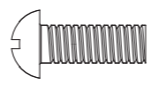

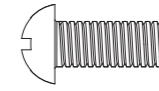
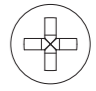

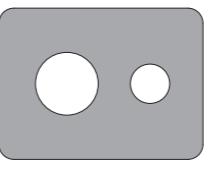
20° is the natural angle and the safety pin is unnecessary.

5. Attach TV Bracket

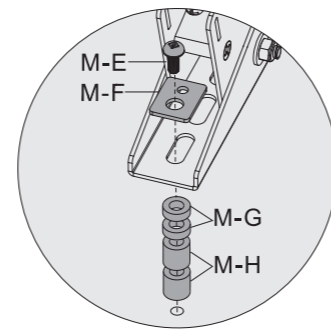
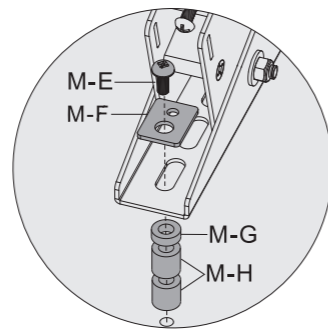
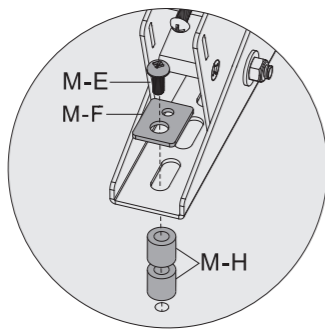
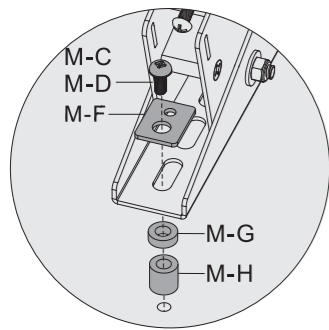
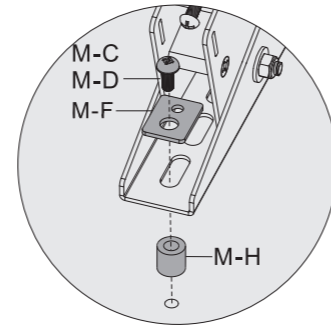
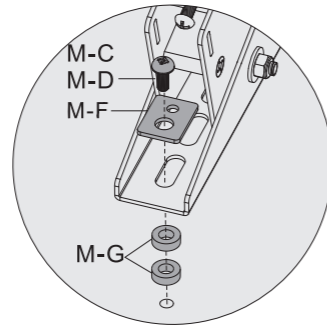
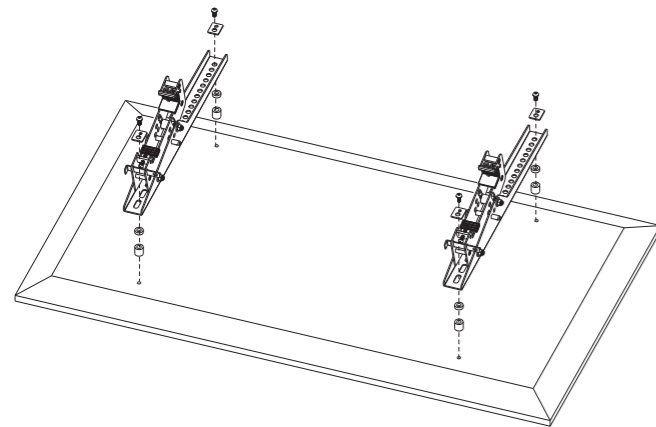
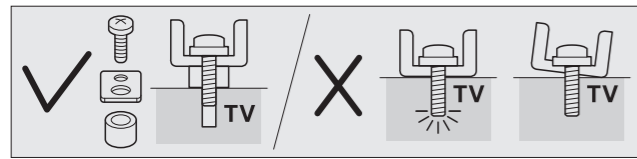


5a. Attach TV Bracket to Flat Back Screen



		1:1			
M-A			M-B		
M-F					

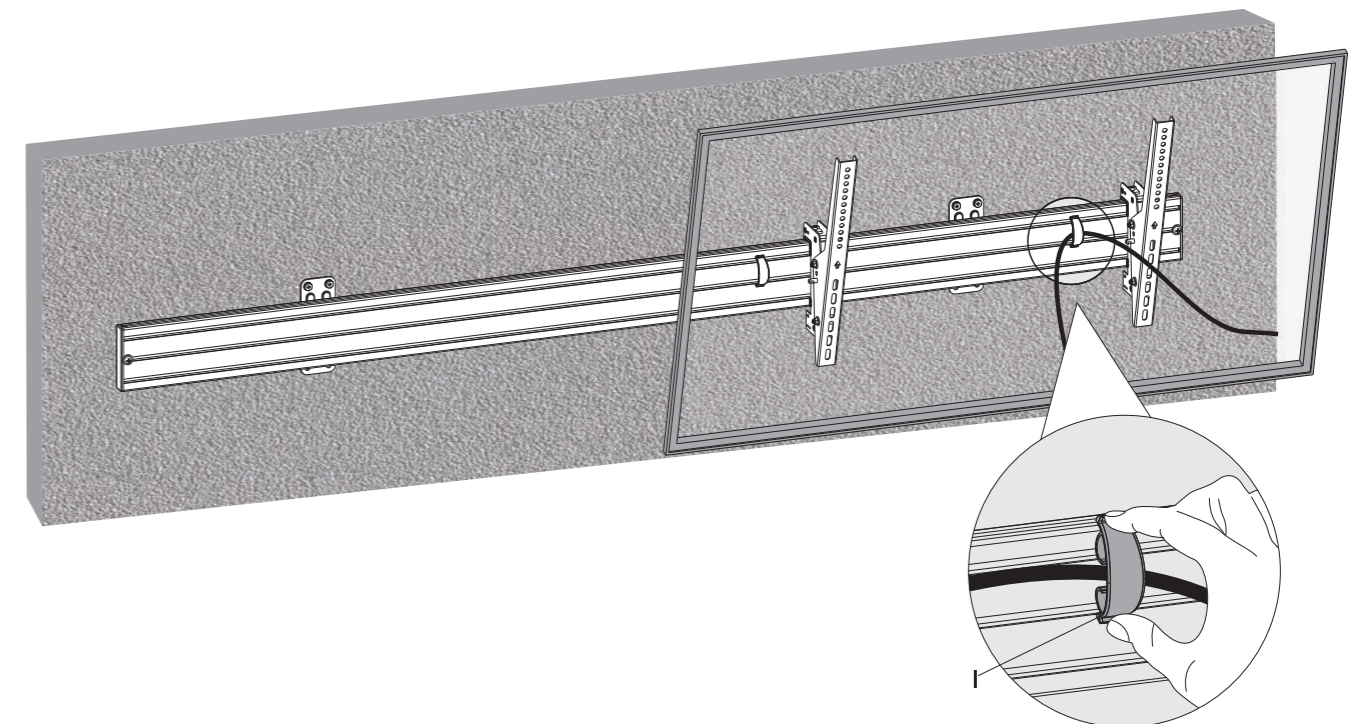
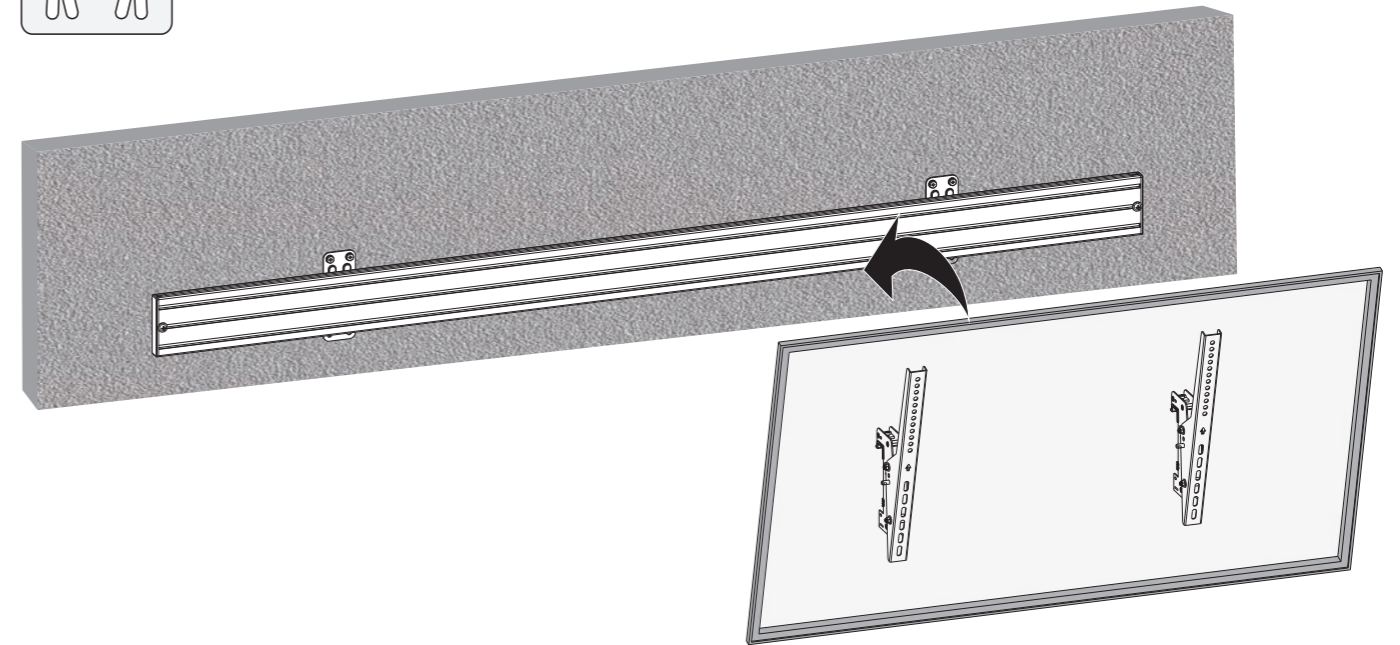
5b. Attach TV Bracket to Irregular Back Screen



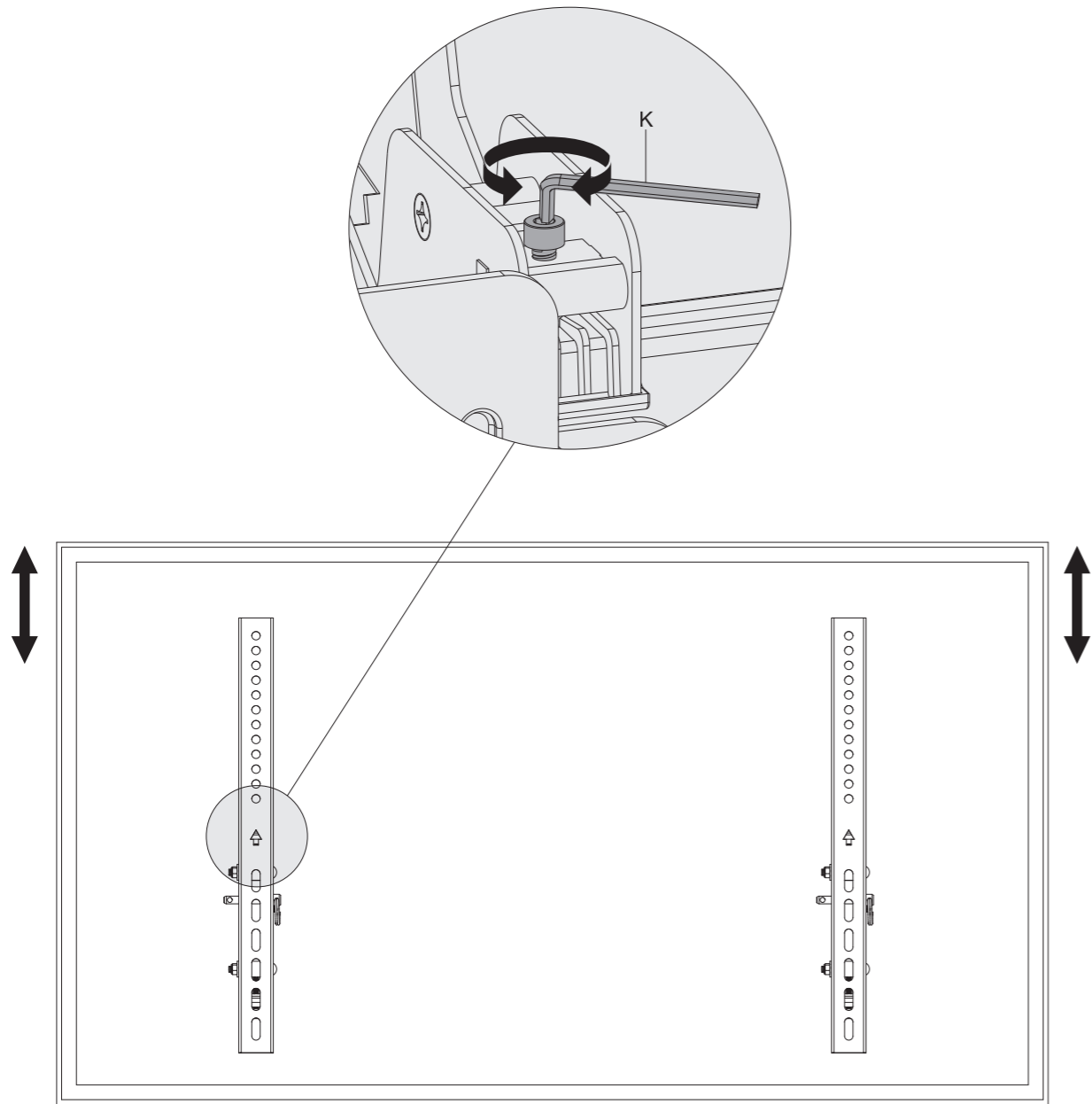
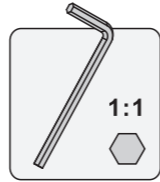
1:1			
M-C			
M-E			M-F
M-G			
			M-H

- Choose the appropriate screws, washers and spacers (if necessary) according to the type of screen.
- Center the adapter brackets on the back of the display as shown, and screw the brackets onto the display, being sure to not over-tighten.

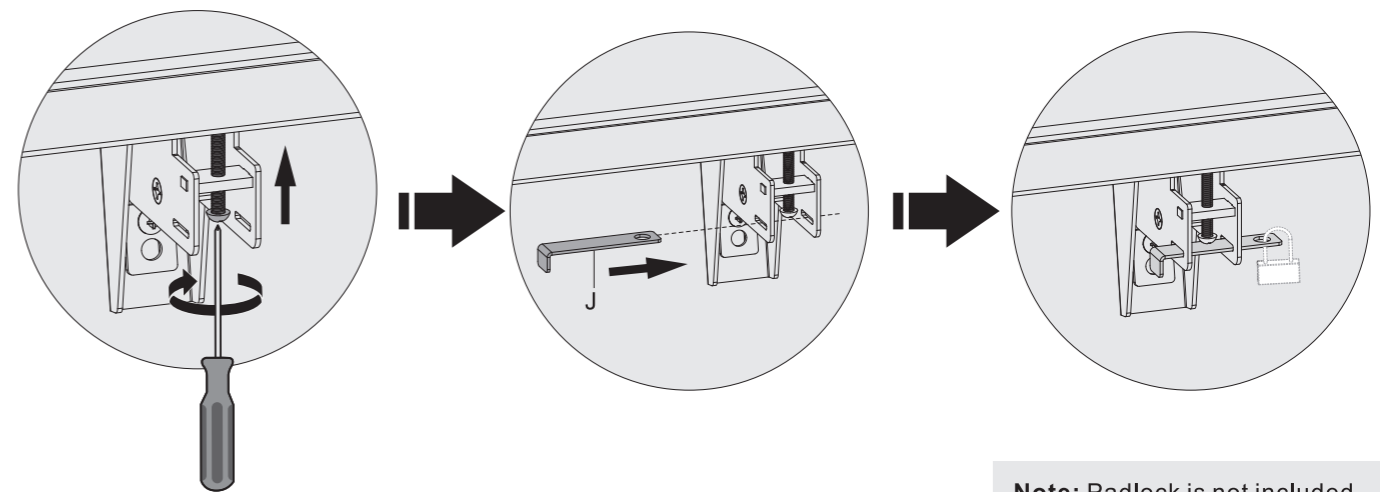
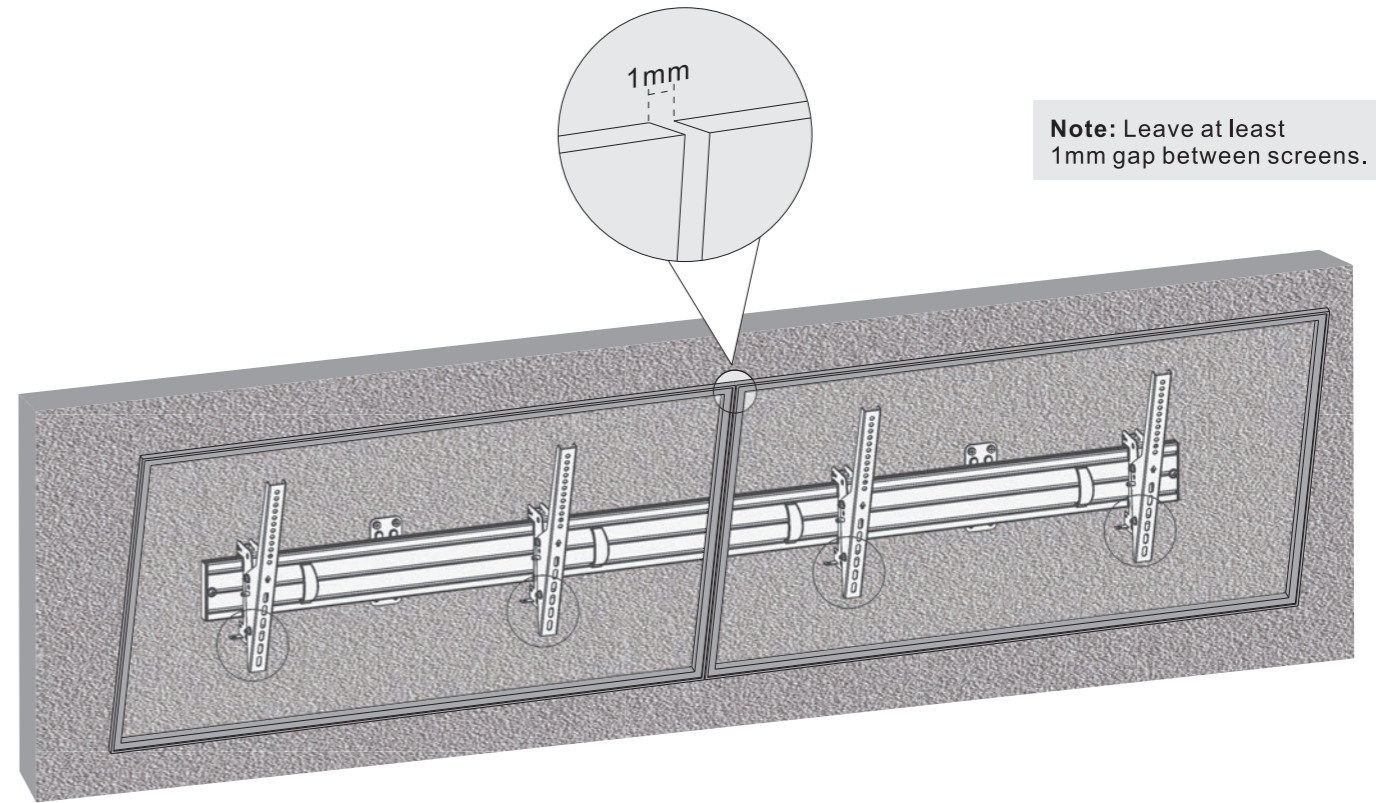
6. Hang the Screen



7. Level Adjustment



8. Secure with Padlock



Maintenance

- Check that the bracket is secure and safe to use at regular intervals(at least every three months).
- Please contact your distributor if you have any questions.