

QTL18H-610TW

- MOST 55"-100" MAX VESA 1000x600
- WEIGHT RATED 120kg 264lbs
- CAMERA WEIGHT 5kg 11lbs
- Four Times Strength Tested
- Tilt Range +5° ~ -10°
- VESA Compatible
- This product supports VESA mounting hole patterns, ensuring compatibility with a wide range of TVs and monitors. MAXIMUM VESA: 1000 x 600
- RoHS



Powerful Lifting Motor

Smooth, quiet motor ensures effortless lifting, even for heavier TV's



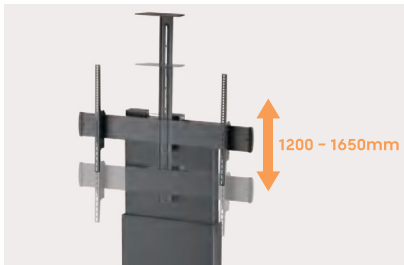
Dual Control Options

Features two control options: a convenient RF remote with memory settings and intuitive button controls.



Adjustable Screen Tilt for Comfort

Easily tilt the screen to reduce glare and enhance viewing comfort



Ample Height Adjustment Range

Wide height adjustment range ensures optimal viewing comfort in any room



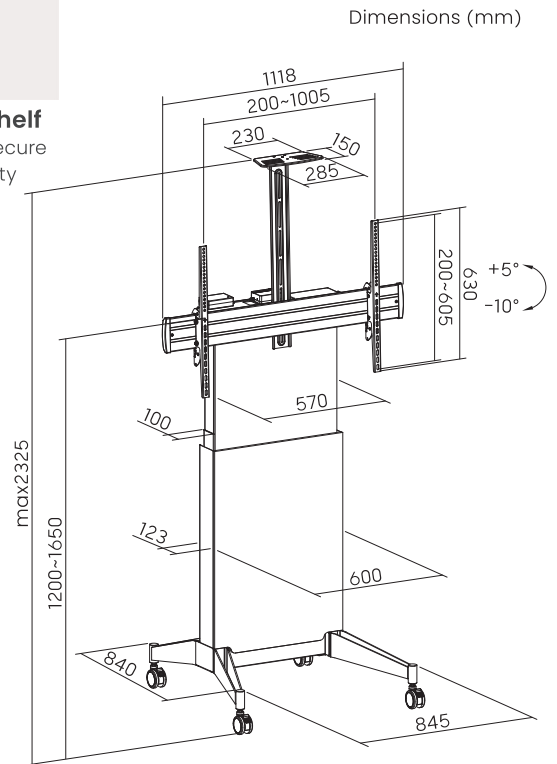
Height Adjustable Camera Shelf

Easily adjustable camera shelf for secure positioning and superior video quality



Heavy-Duty Lockable Casters

Sturdy, lockable casters offer reliable stability and effortless mobility



Q-Tee offers the most comprehensive range of brackets and mounts for LED / LCD / OLED and Plasma Displays. Our products are engineered to the highest quality and designed to fit VESA and Non-VESA standards to make installations quick and easy. Regardless of the application, Q-Tee has the solution to suit your requirements for both domestic and commercial applications.

Q-Tee is a registered trademark of 'Quantum Sphere Pty Ltd, PO Box 6077, Dural, NSW 2158, Australia

www.qsphere.com.au

