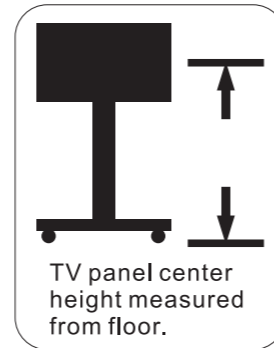
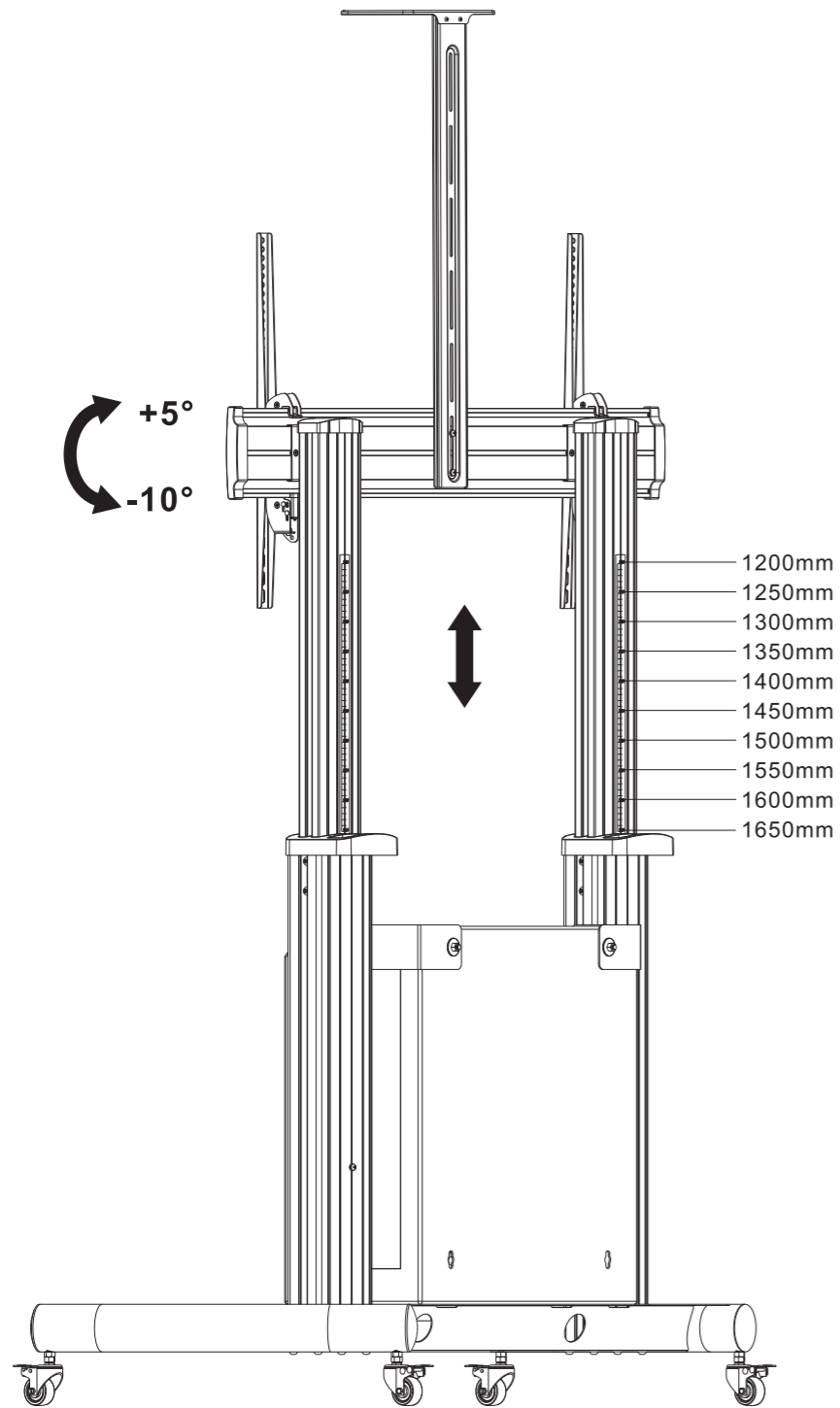
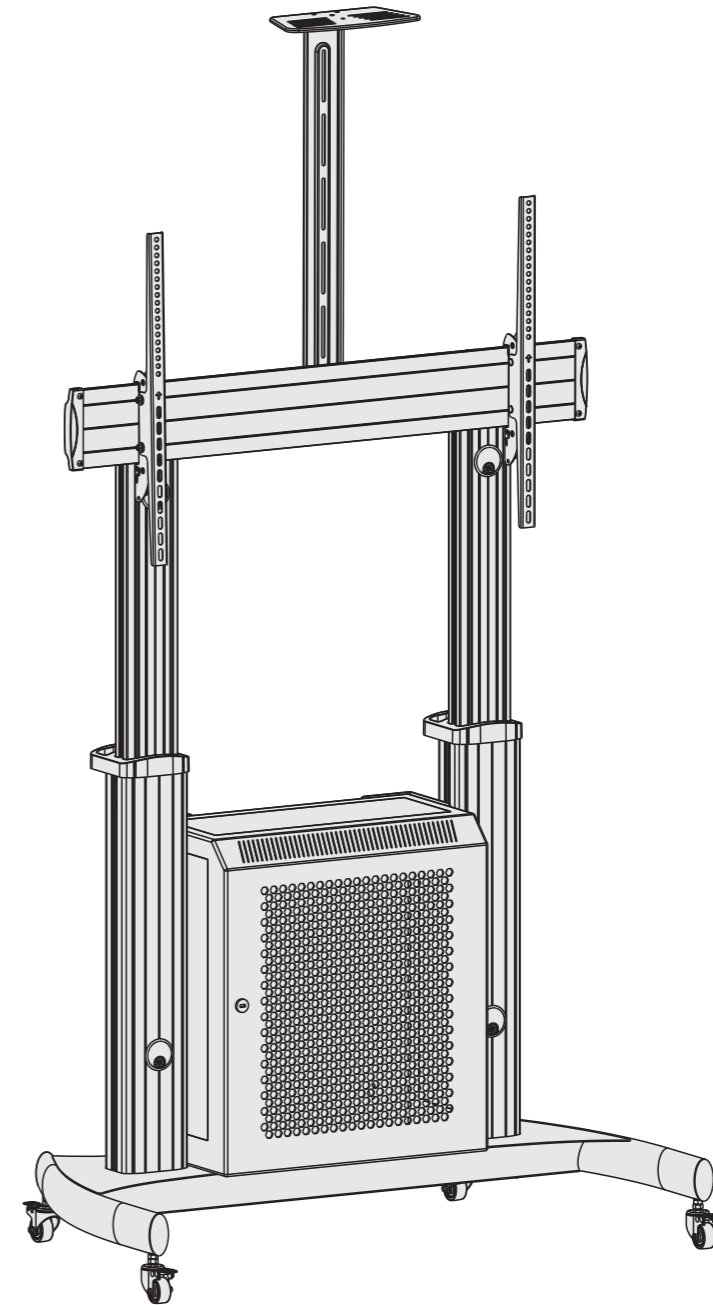


## 9. Adjustment



# TV Cart

**WARNING:** EXCEEDING THE WEIGHT CAPACITY CAN RESULT  
 IN SERIOUS PERSONAL INJURY OR DAMAGE TO  
 EQUIPMENT!



### Maintenance

- Check if the bracket is secure and safe to use at regular intervals(at least every three months).
- Please contact your distributor if you have any questions.

## INSTALLATION MANUAL

QTL07C-610TW



400x400/600x400  
 800x400/800x600  
 900x600/1000x600

100"  
 MAX

rated  
 for TV  
 100kg/220lbs

rated  
 for CAMERA  
 5kg/11lbs

**NOTE:** Read the entire instruction manual before you start assembly.

## ⚠ WARNING

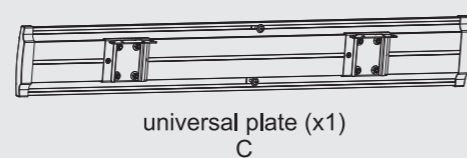
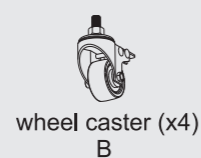
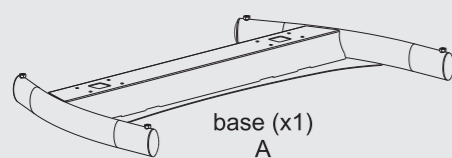
- Do not begin the installation until you have read and understood the instructions and warnings contained in this installation sheet. If you have any questions regarding any of the instructions or warnings, please contact your point of purchase.
- This mounting bracket was designed to be installed and utilized **ONLY** by following the instruction of this manual. Improper installation of this product may cause damage or serious injury.
- This product should only be installed by someone with professional mechanical ability who has basic building experience and fully understands this manual.
- Make sure that the supporting surface will safely support the combined weight of the equipment and all attached hardware and components.
- Always use an assistant or mechanical lifting equipment to safely lift and position the equipment.
- Tighten screws firmly, but do not over tighten. Over tightening can cause damage to the product, which largely reduces weight capacity.
- This product is for indoor use only. Using this product outdoors could lead to product failure and personal injury.

### Requirement for Installation

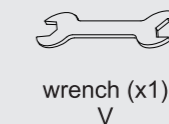
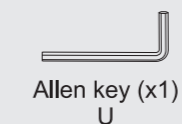
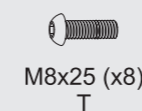
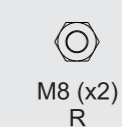
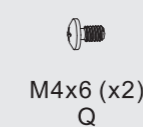
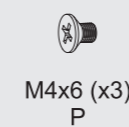
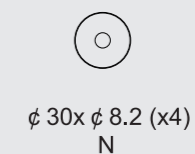
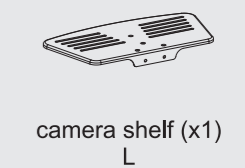
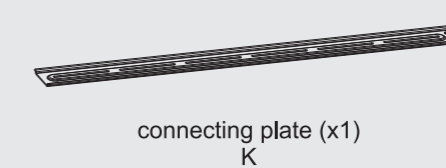
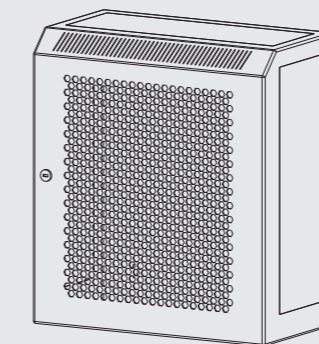
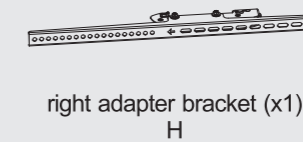
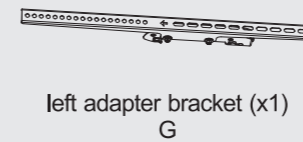
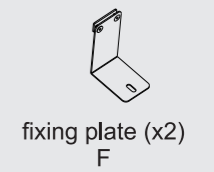
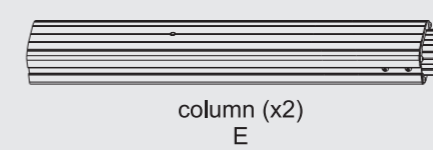
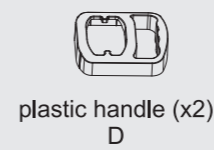


### Parts Checklist

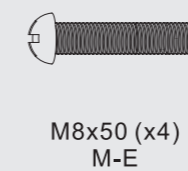
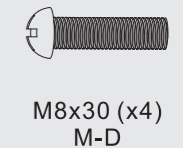
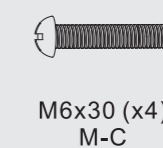
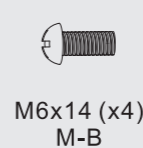
**IMPORTANT:** Ensure that you have received all parts according to the component checklist prior to installation. If any parts miss or isn't correctly provided, contact your point of purchase for a replacement.



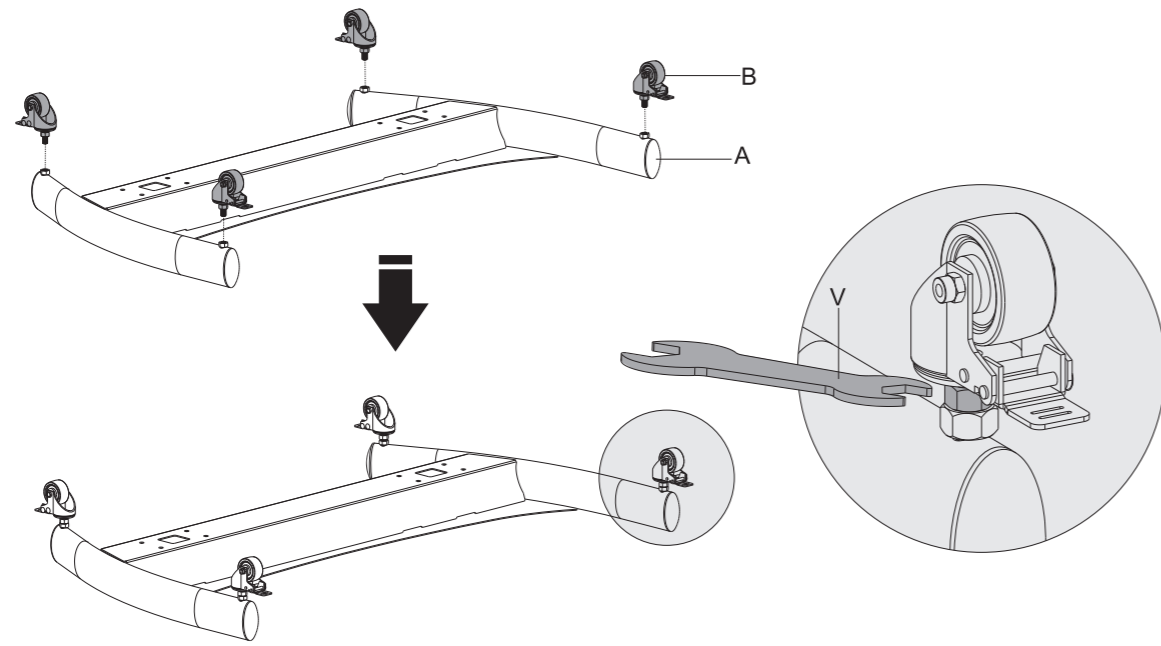
**NOTE:** Read the entire instruction manual before you start assembly.



### Package M

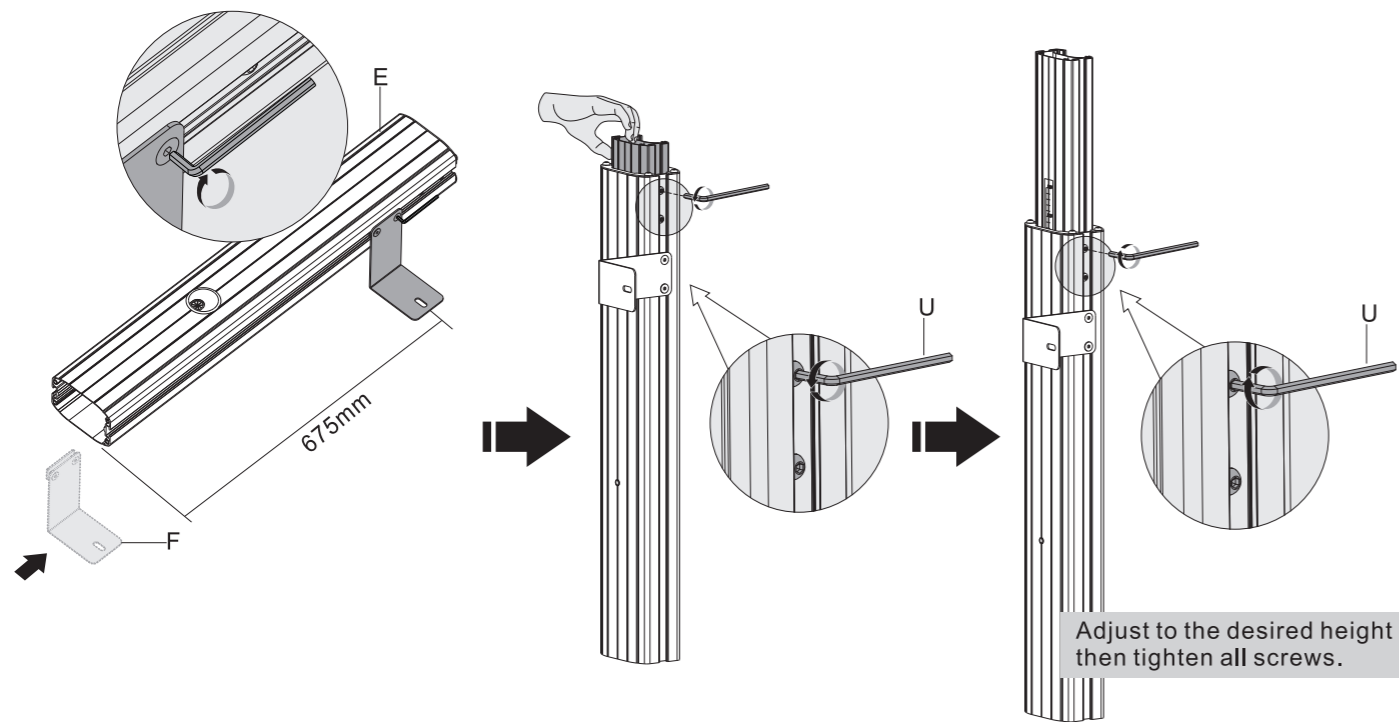


## 1. Installing the Wheel Caster



Note: Each caster can be adjusted independently for fine tuning. Slightly turn the nut to lower or raise the base.

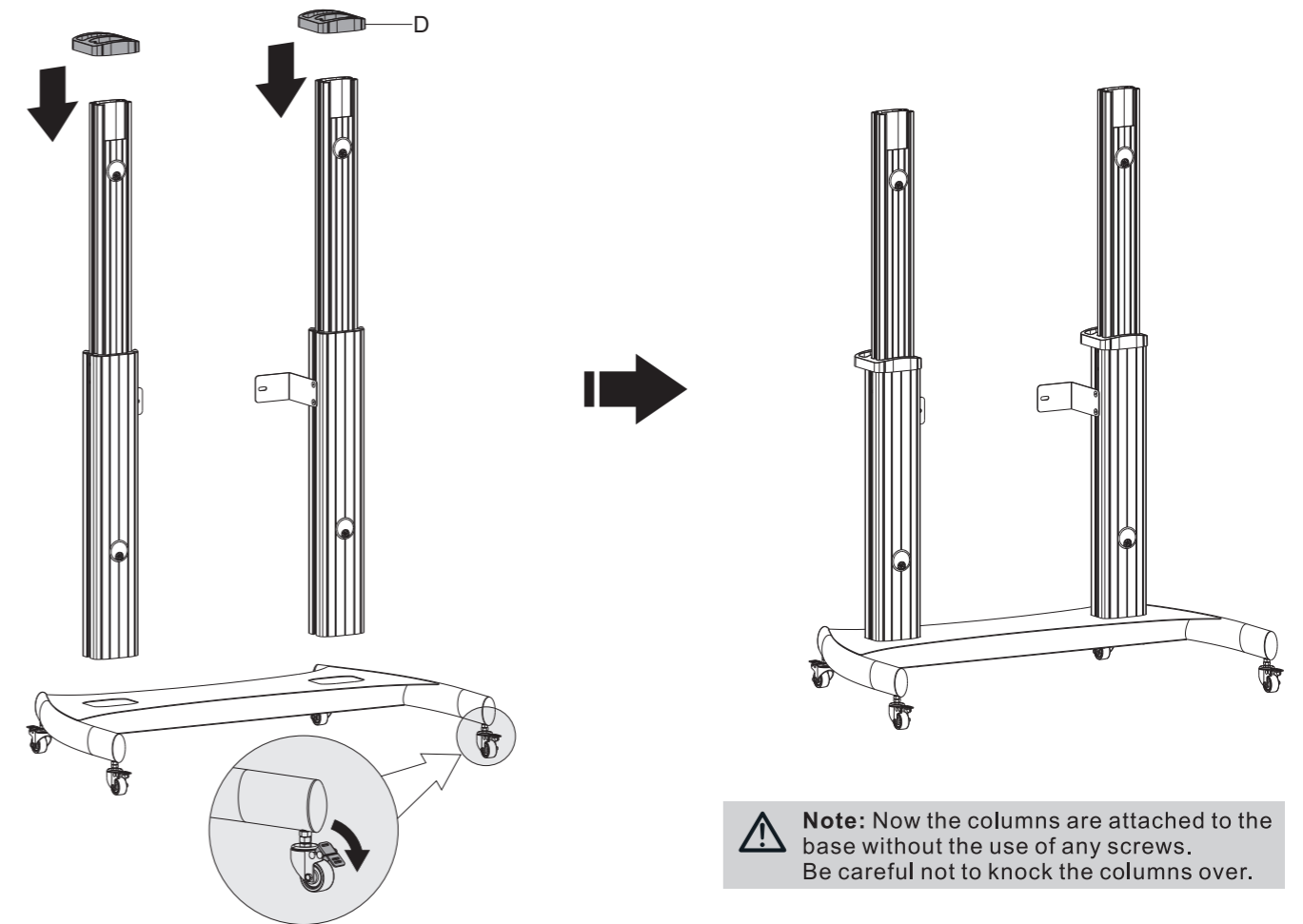
## 2. Attaching the Columns to the Base



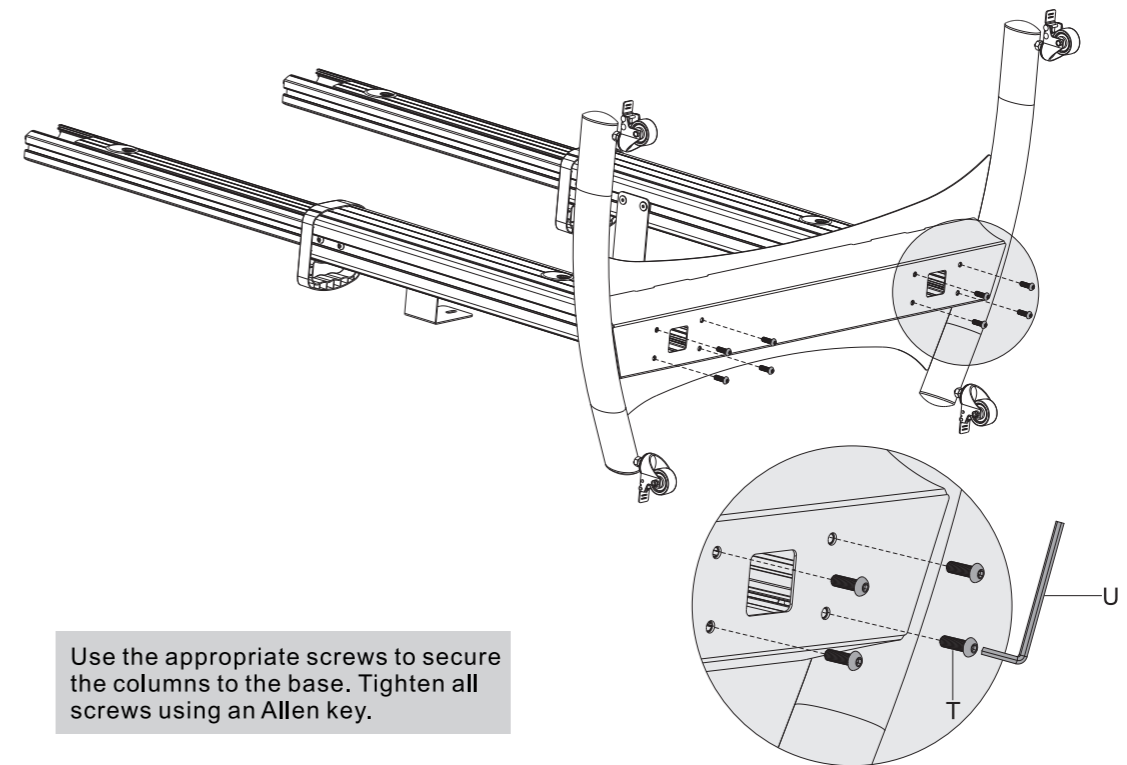
Repeat this step for the left column.

Note: Make sure both columns are at the same height using the height indicator as guide.

Adjust to the desired height then tighten all screws.

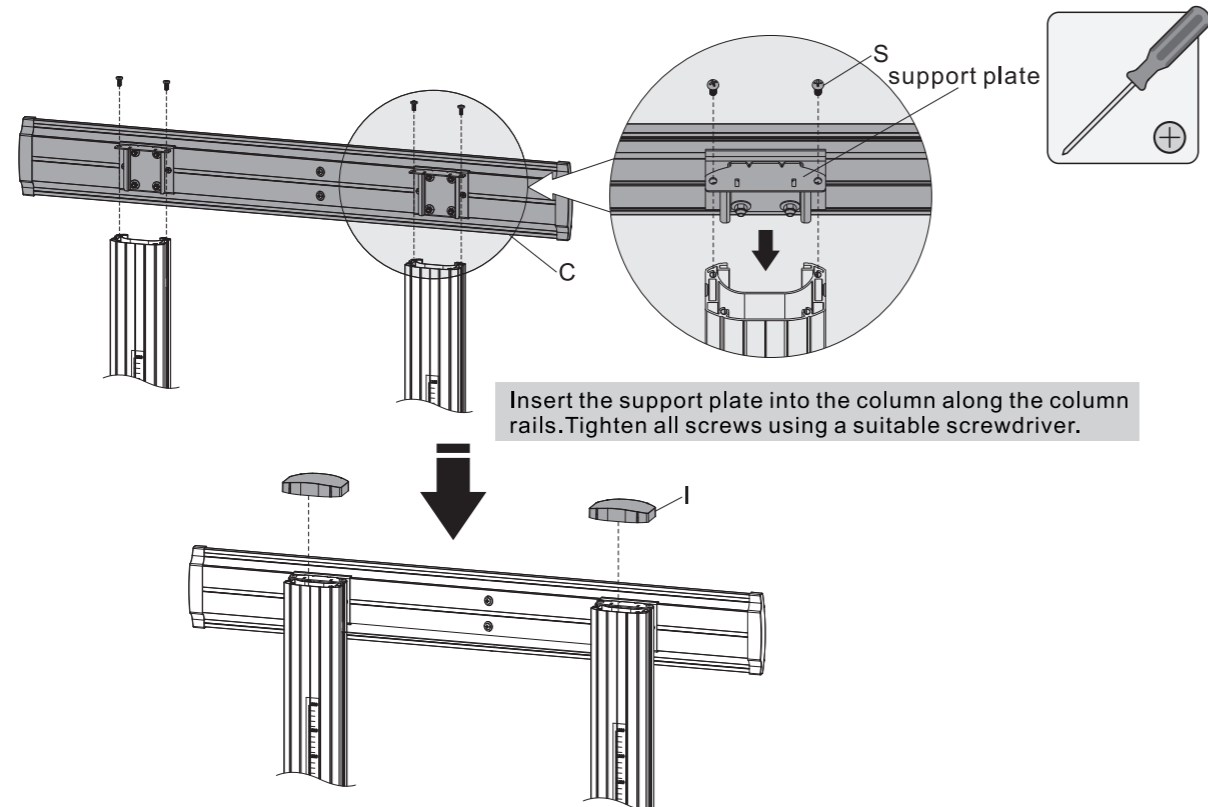


⚠ Note: Now the columns are attached to the base without the use of any screws. Be careful not to knock the columns over.



Use the appropriate screws to secure the columns to the base. Tighten all screws using an Allen key.

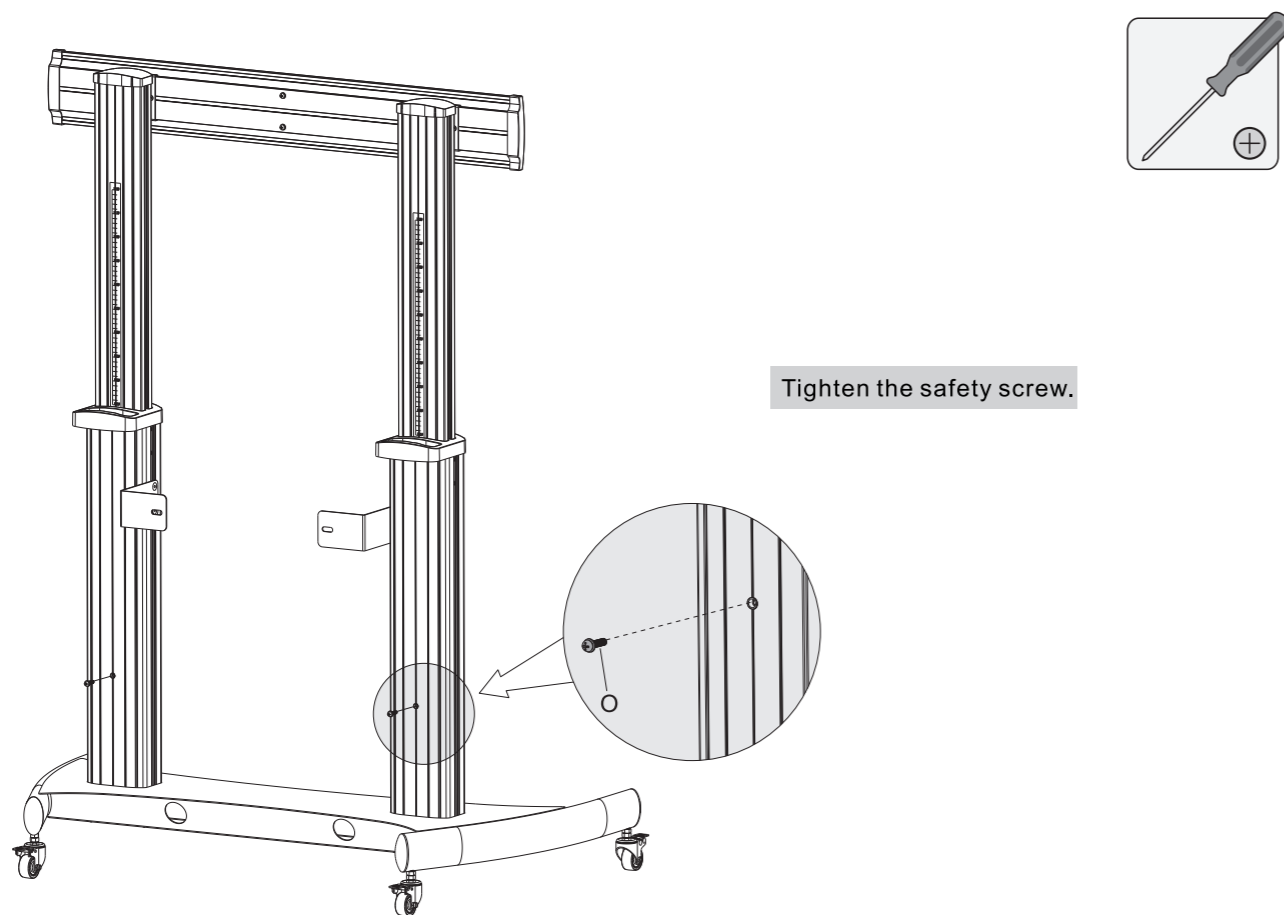
**5**



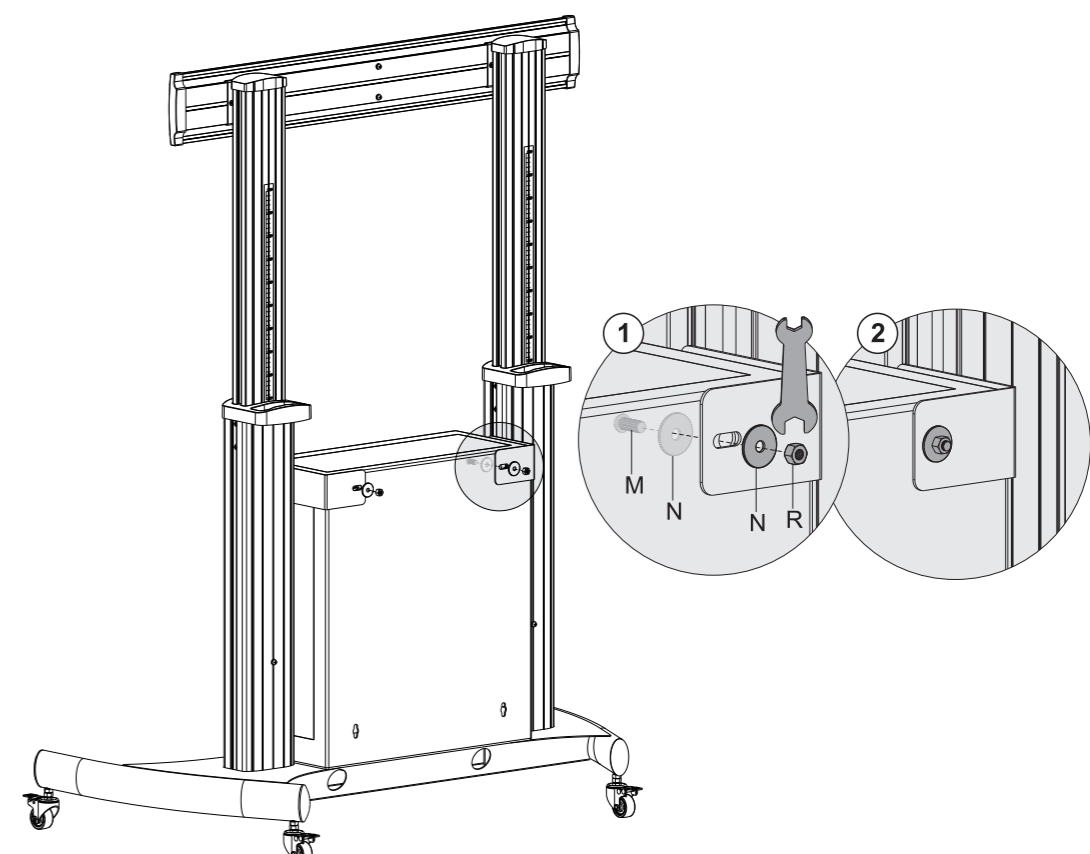
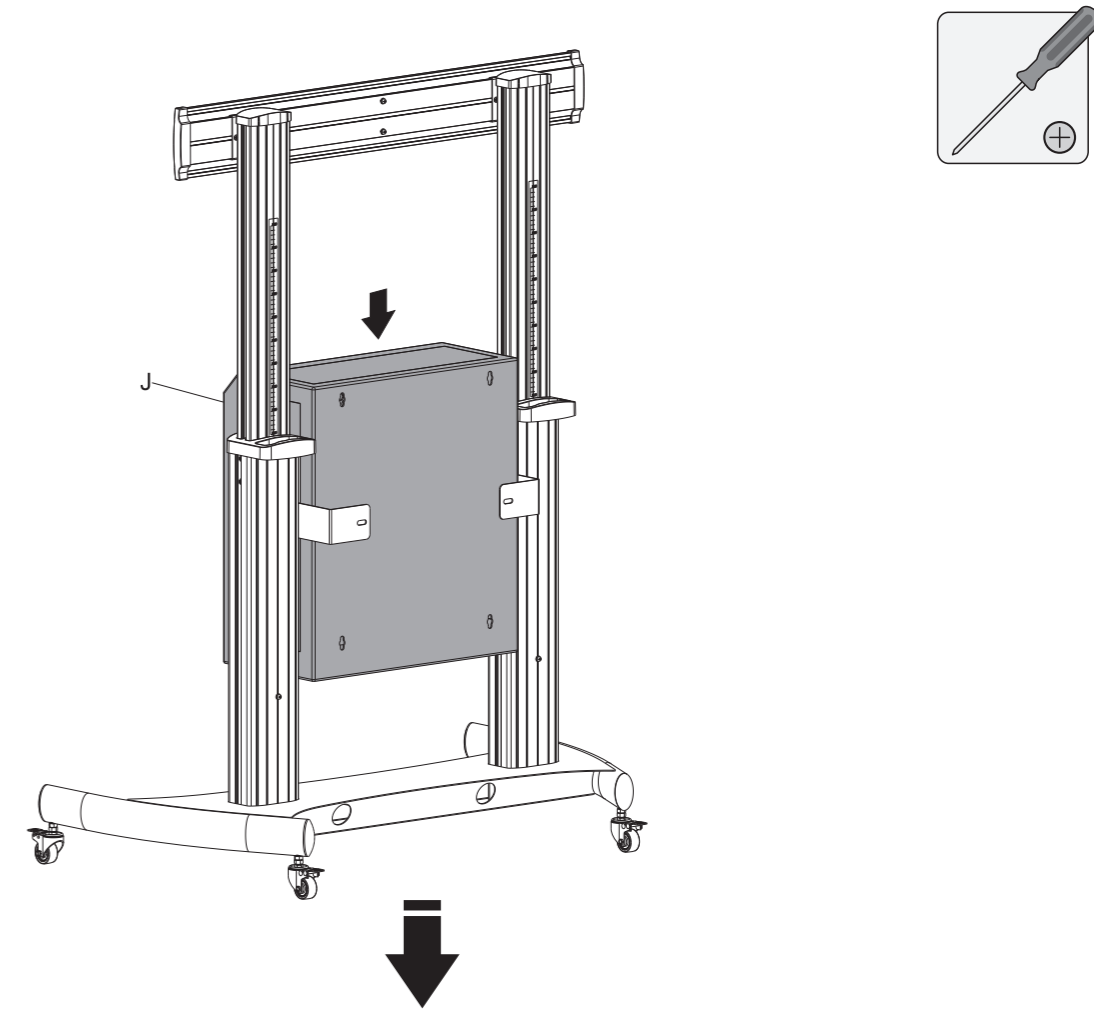
Insert the support plate into the column along the column rails. Tighten all screws using a suitable screwdriver.

Attach the universal plate to the columns with the appropriate screws. Tighten all screws using a Phillips screwdriver.

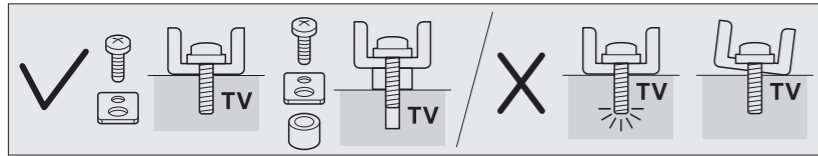
**6**



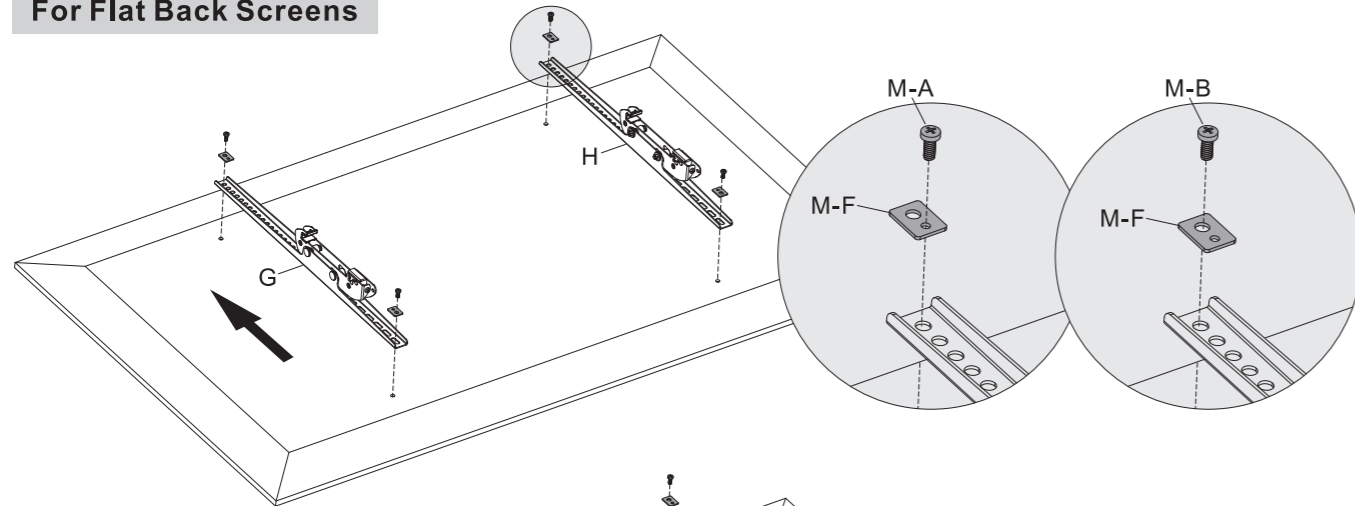
**3. Installing the Cabinet**



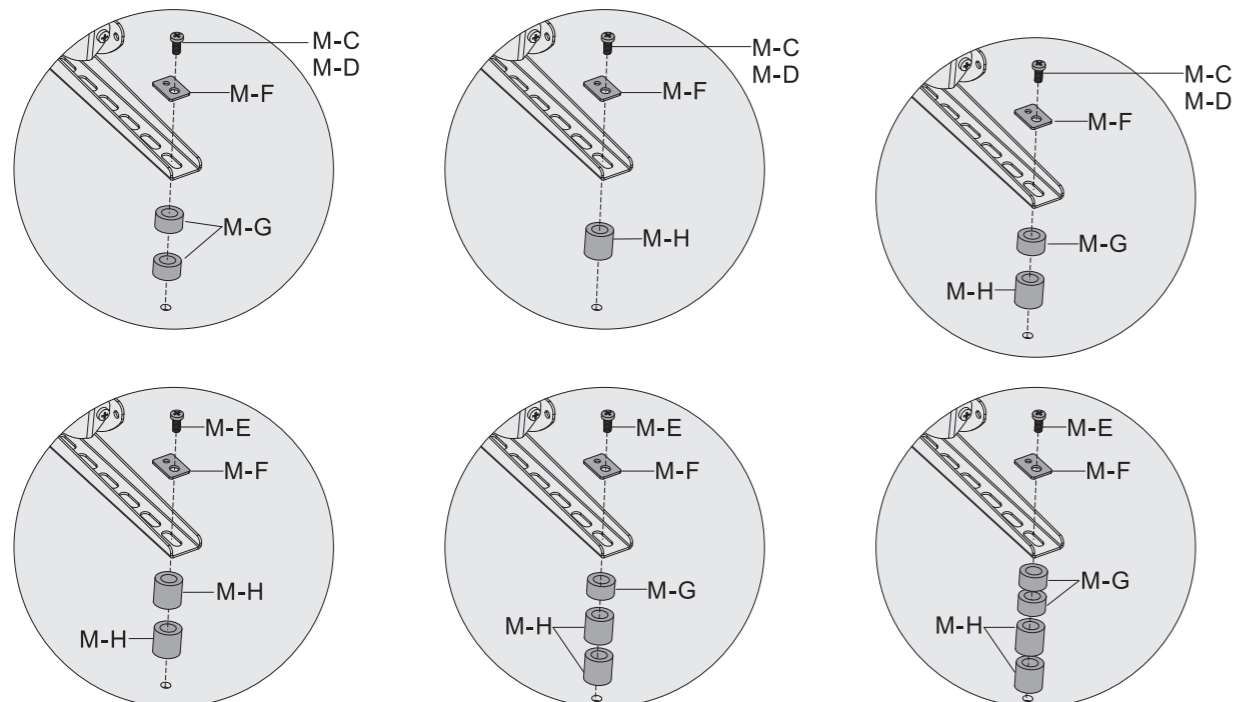
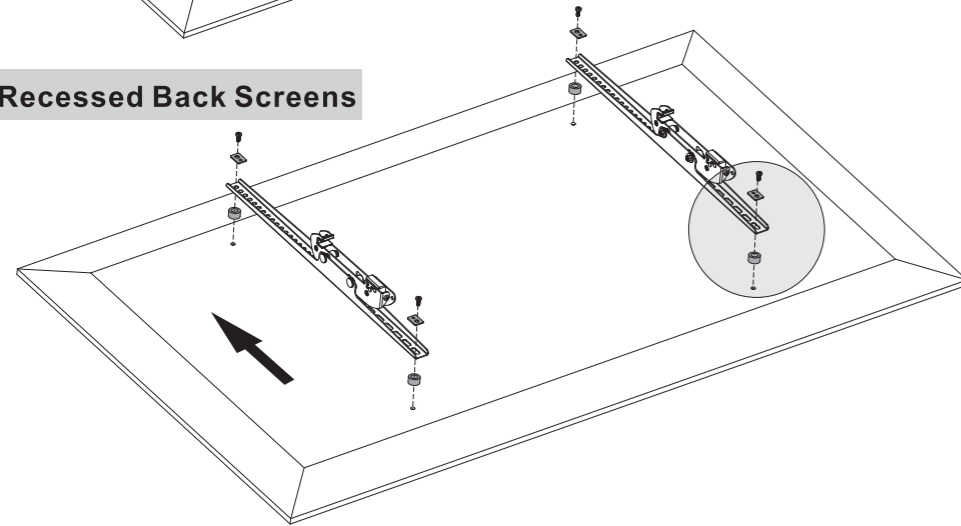
#### 4. Attaching the Adapter Brackets to TV



##### For Flat Back Screens



##### For Recessed Back Screens



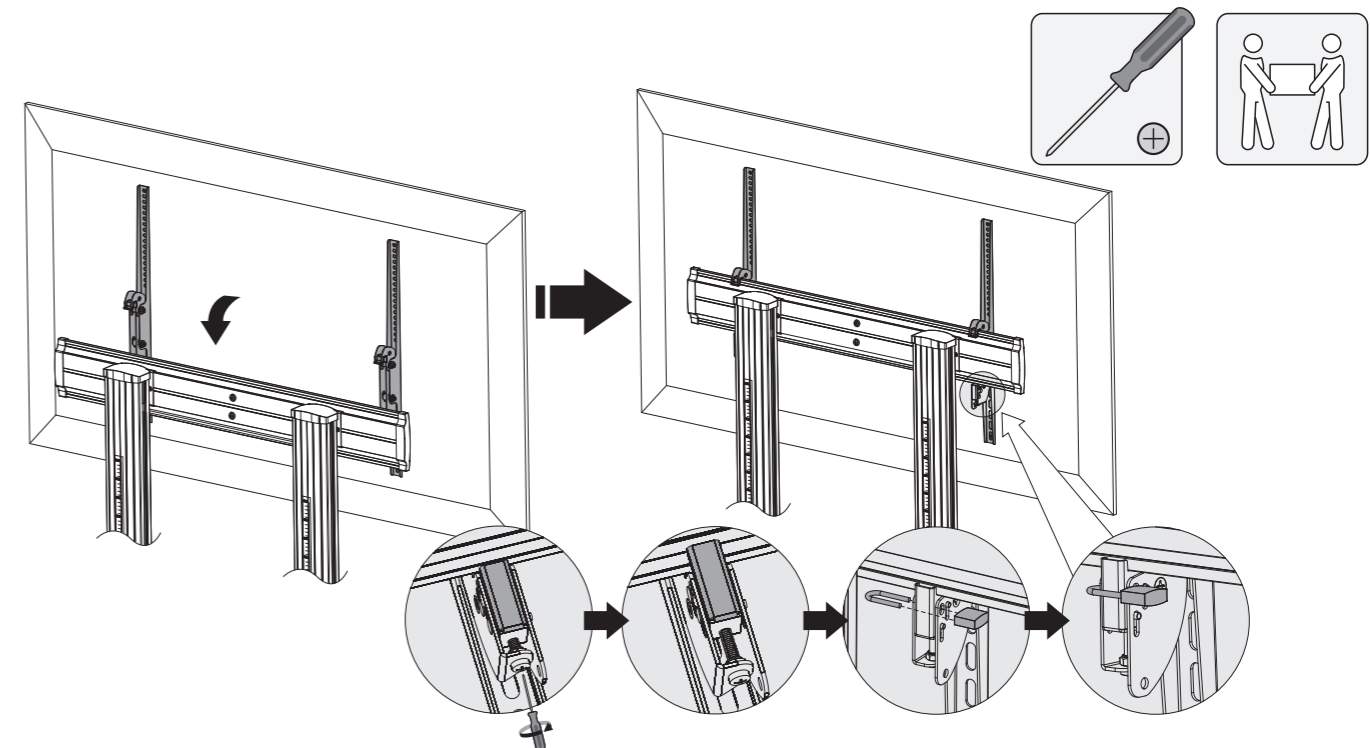
<b>M-A</b>			<b>M-B</b>		
<b>M-C</b>			<b>M-D</b>		
<b>M-E</b>			<b>M-F</b>		
<b>M-G</b>			<b>M-H</b>		

**Note:** Choose the appropriate screws, washers and spacers (if necessary) according to the type of screen.

- Position the adapter brackets as close as possible to the center of the display.
- Screw the adapter brackets onto the display.

**Tighten all screws but do not over tighten.**

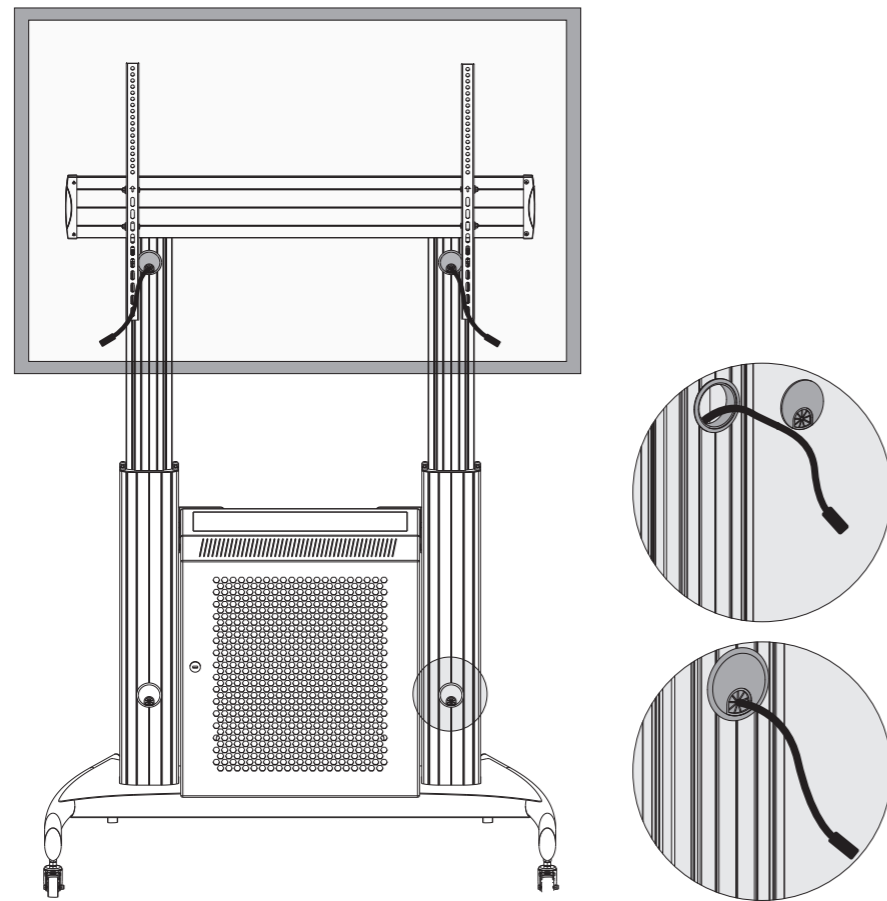
#### 5. Hanging the Display onto the Universal Plate



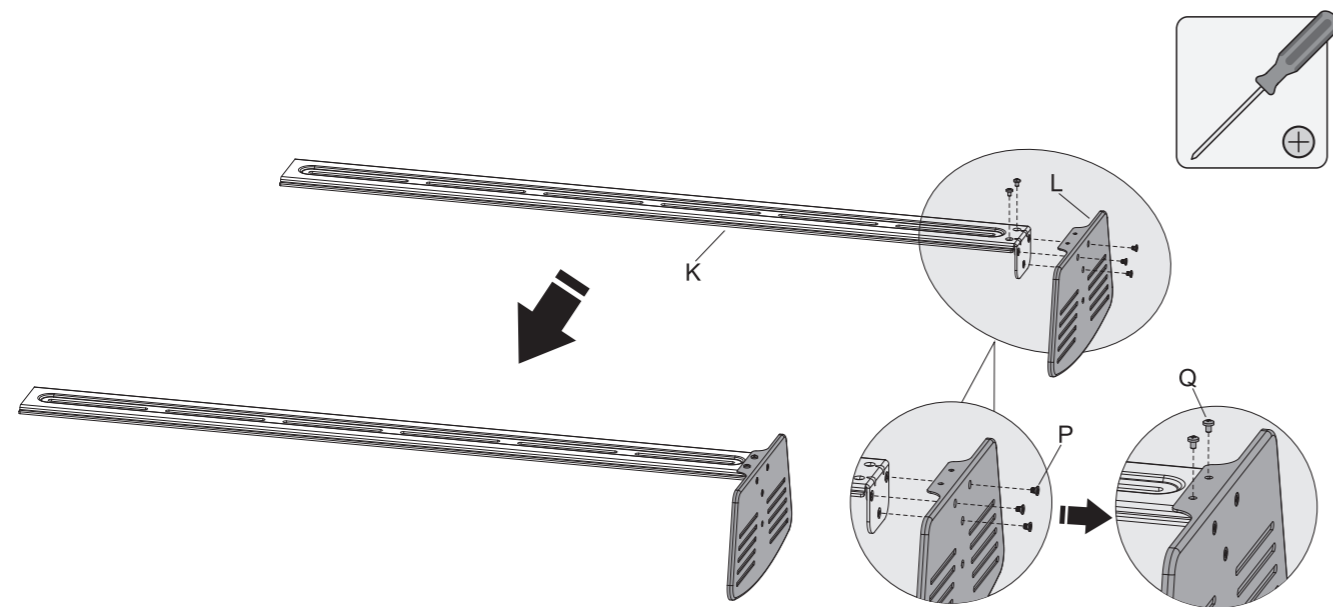
Hook the adapter brackets (attached the display) onto the universal plate.  
 Rotate the bottom screws counterclockwise to lock.  
 Rotate the bottom screws clockwise to unlock.  
 Use the padlock to prevent display from being stolen. (Padlock is not included.)  
**IMPORTANT:** Make sure the display is correctly mounted before releasing the display.



## 6. Cable Management

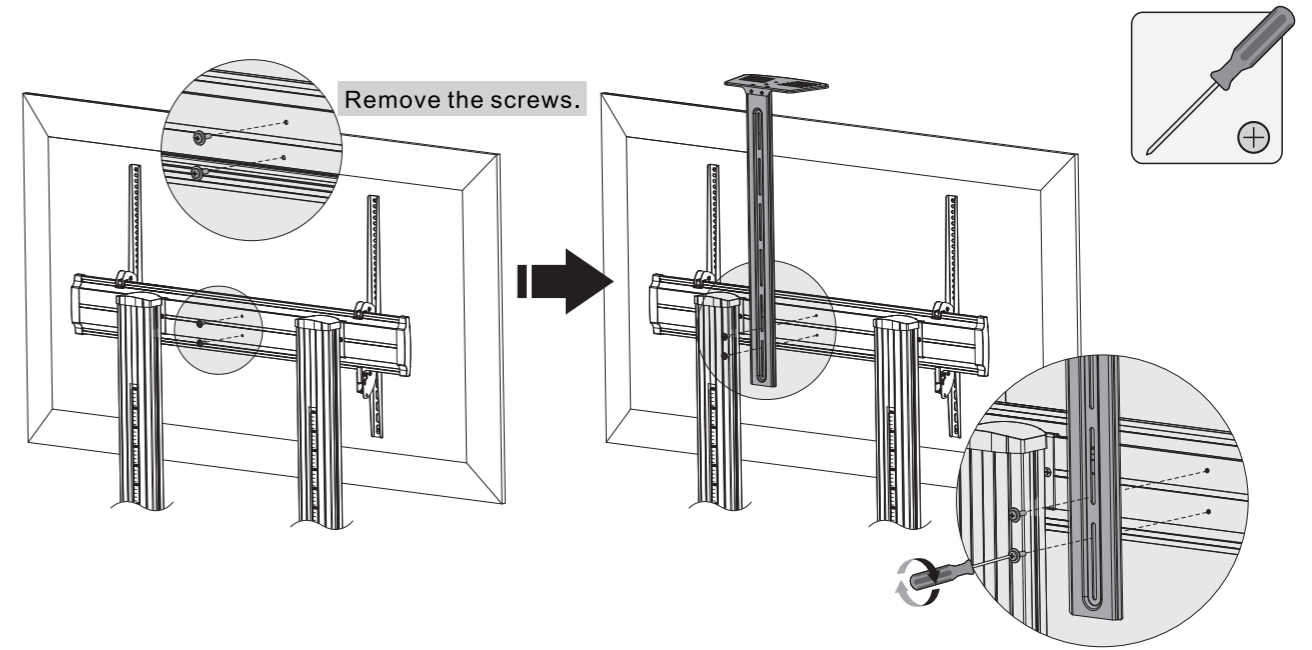


## 7. Installing the Camera Shelf



Attach the camera shelf to the connecting plate with the appropriate screws. Tighten all screws using a proper Phillips screwdriver.

## 8. Installing the Connecting Plate



Attach the connecting plate to the universal plate with the removed screws. Tighten all screws using a proper Phillips screwdriver.

