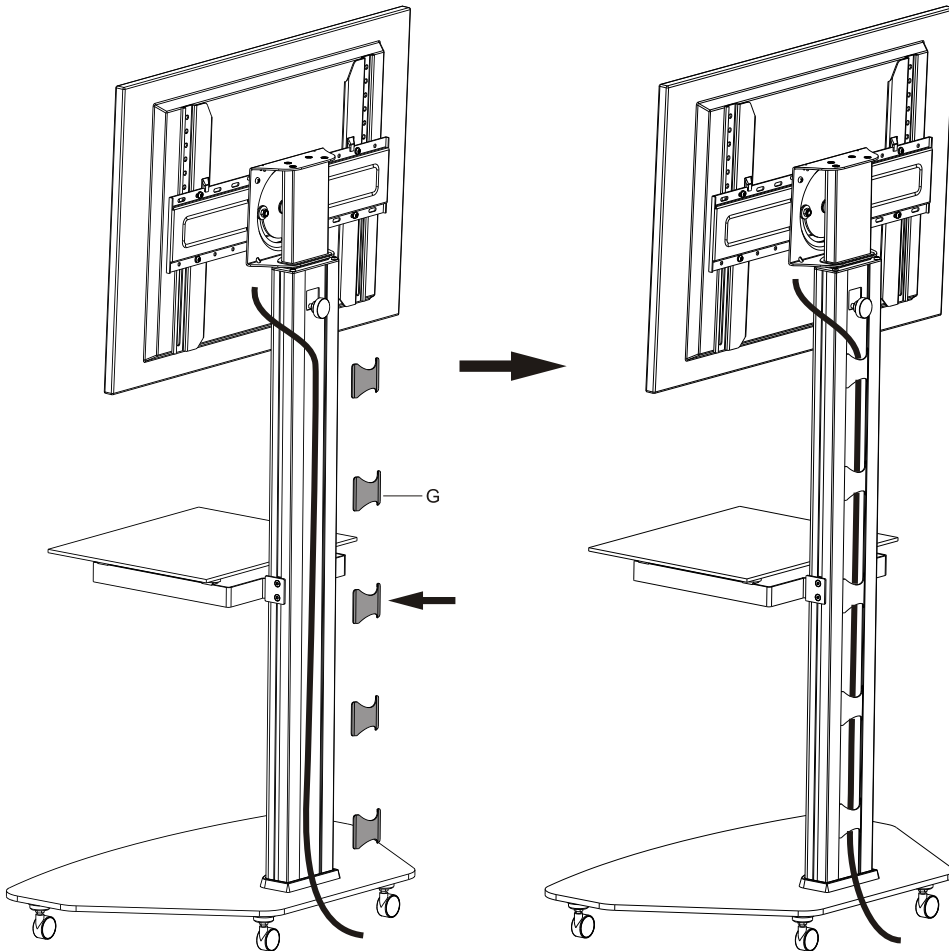


8. Cable Management

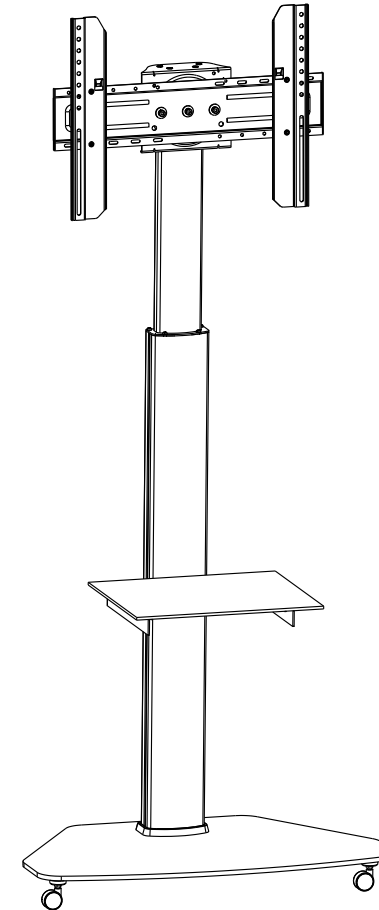


Route the cables along the column.
Attach the cable cover to the column to hold the cables in place.

Maintenance

- Check that the bracket is secure and safe to use at regular intervals(at least every three months).
- Please contact your distributor if you have any questions.

Flat Panel Display Cart



CAUTION: DO NOT EXCEED RATED LISTED WEIGHT . SERIOUS INJURY OR PROPERTY DAMAGE MAY OCCUR!

QS01G



200x200/300x300
400x200/400x400
600x400



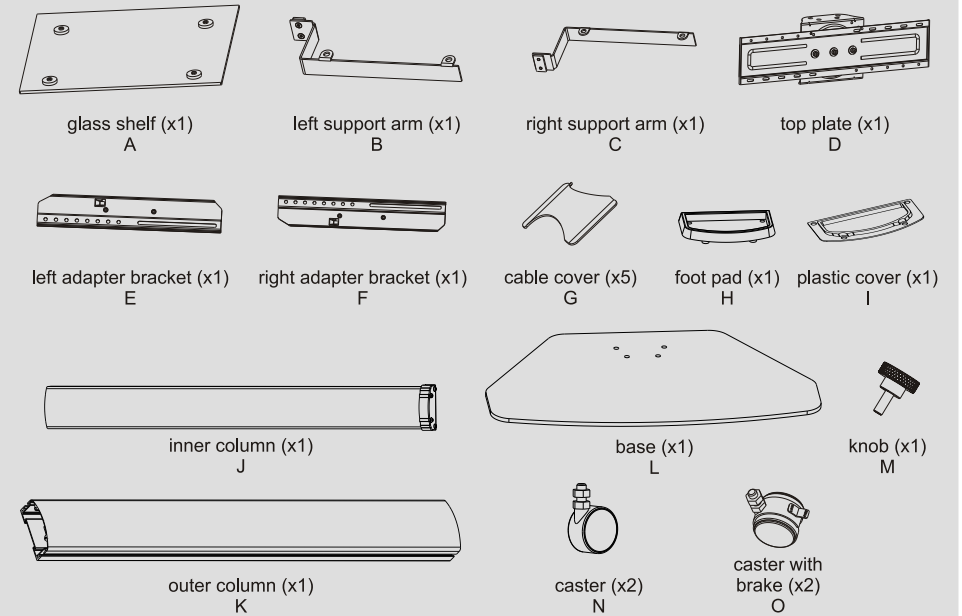
ISSUED: NOV. 2014

NOTE: Read the entire instruction manual before you start installation and assembly.

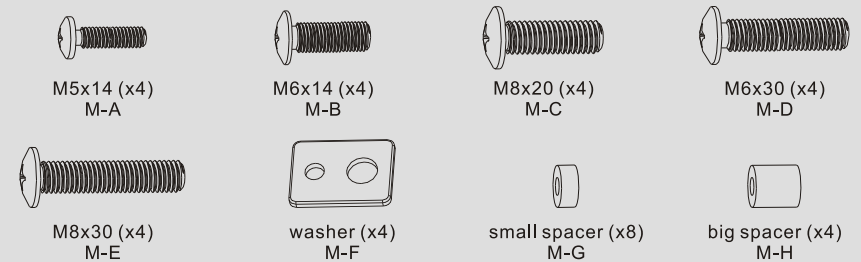
⚠ WARNING

- Do not begin the installation until you have read and understood the instructions and warnings contained in this installation sheet. If you have any questions regarding any of the instructions or warnings, please contact your local distributor.
- This mounting bracket was designed to be installed and utilised **ONLY** as specified in this manual. Improper installation of this product may cause damage or serious injury.
- Always use an assistant or mechanical lifting equipment to safely lift and position the equipment.
- Tighten screws firmly, but do not over tighten. Over tightening can cause damage to the items, This greatly reduces their holding power.
- This product is intended for indoor use only. Using this product outdoors could lead to product failure and personal injury.

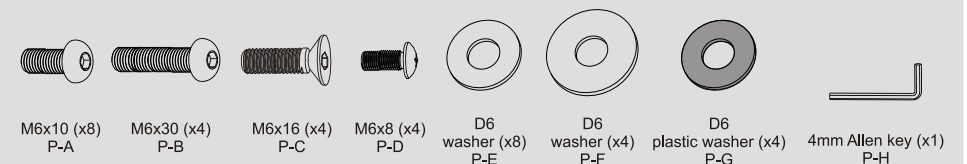
IMPORTANT: Ensure you have received all parts against the component checklist prior to installation. If any parts are missing or faulty, telephone the special franchiser for a replacement.



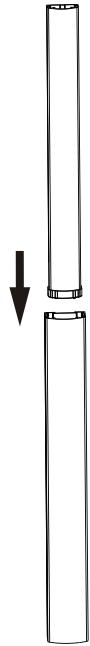
Package M



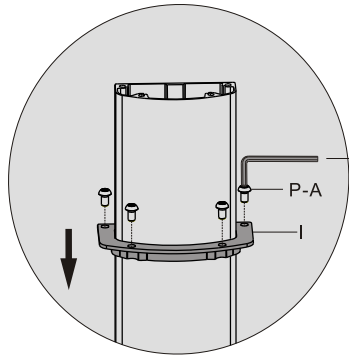
Package



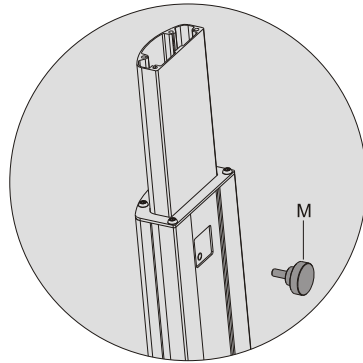
1. Installing the Columns and the Support Arms



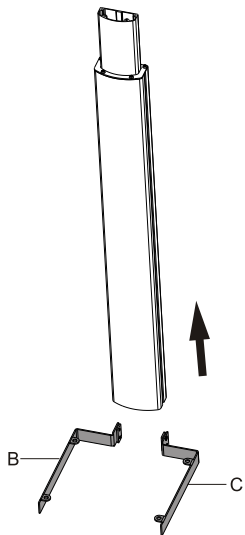
Insert the inner column into the outer column .



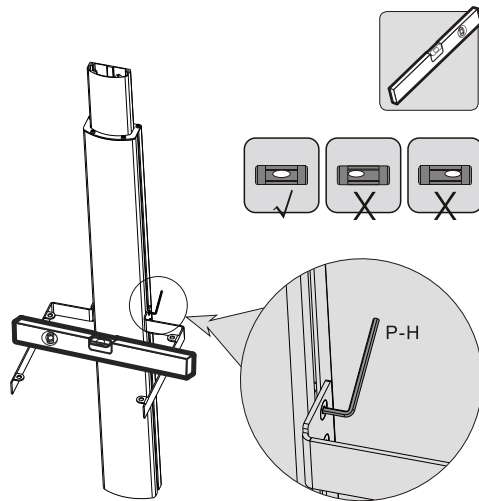
Attach the plastic cover to the outer column using screws and tighten all screws with Allen key.



Thread the knob into the column to secure them.

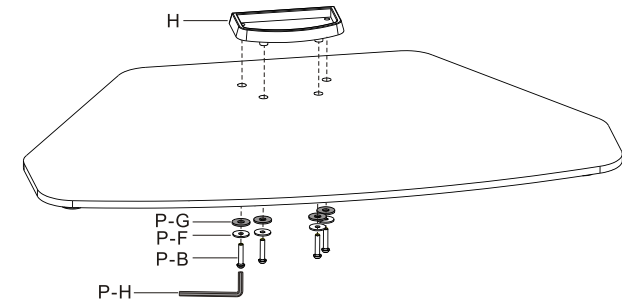
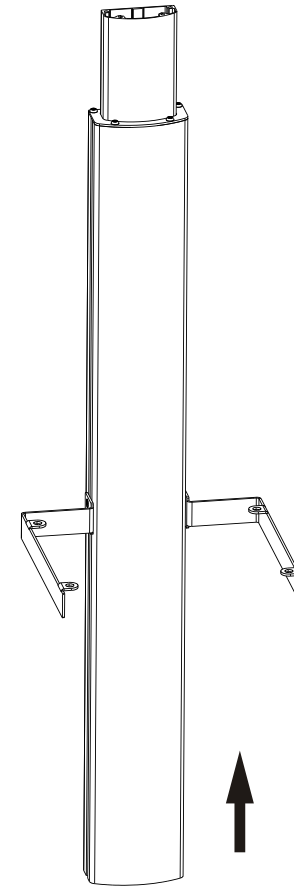


Slide the support arms along the column rails to the desired height.



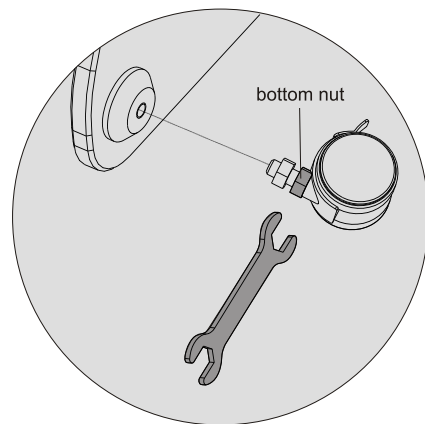
Make sure both support arms are at the same level and tighten all screws to secure them.

2. Installing the Base

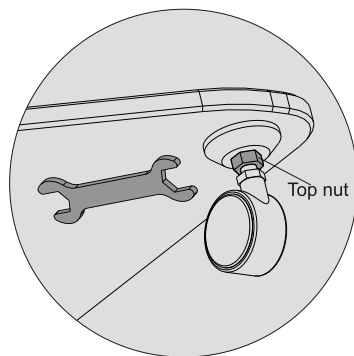


Attach the column and the foot pad to the base using the correct screws and washers. Tighten all screws with Allen key.

3. Installing the Casters

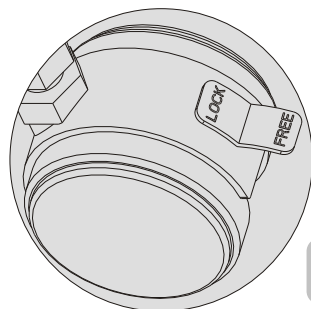


Install the casters into the base holes and tighten bottom nuts of the casters to the desired height.

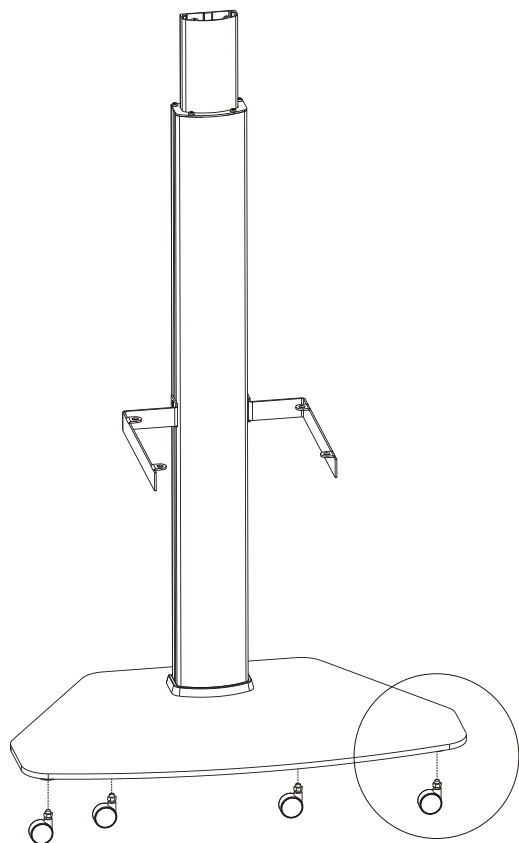


Tighten all top nuts to secure them.

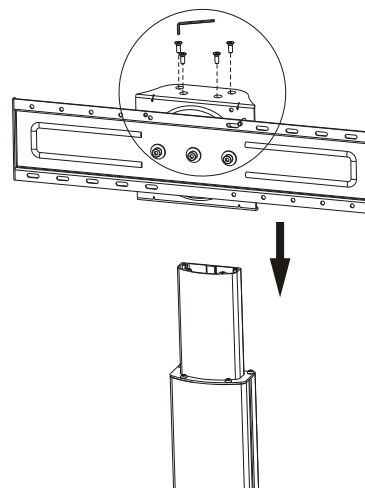
Note: Make sure all casters are at the same height.



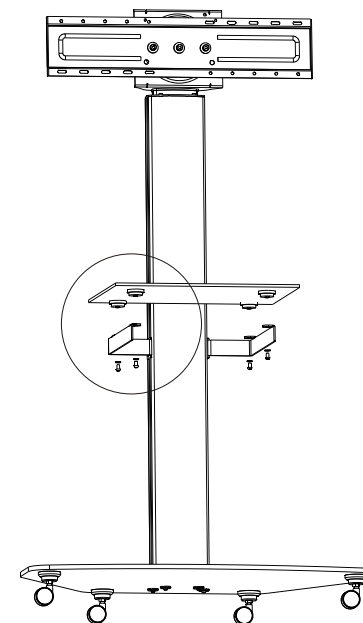
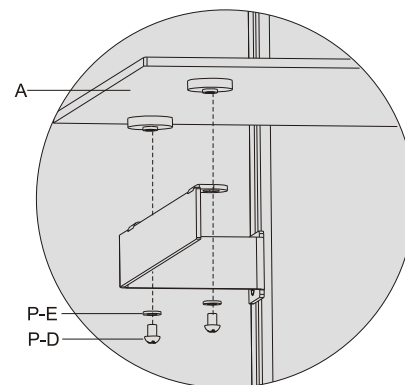
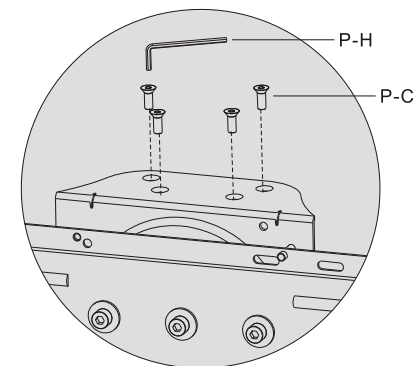
Note: Lock the brakes on casters to avoid sudden movements during installation.



4. Installing the Top Plate and the Glass Shelf

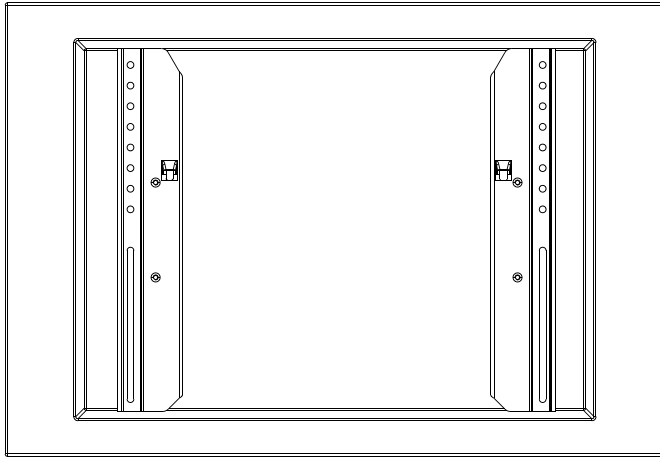


Insert the top plate into the column and secure with screws.



Attach the glass shelf to the installed support arms using the screws and washers, and tighten all screws with a proper screwdriver.

5. Installing the Adapter Brackets

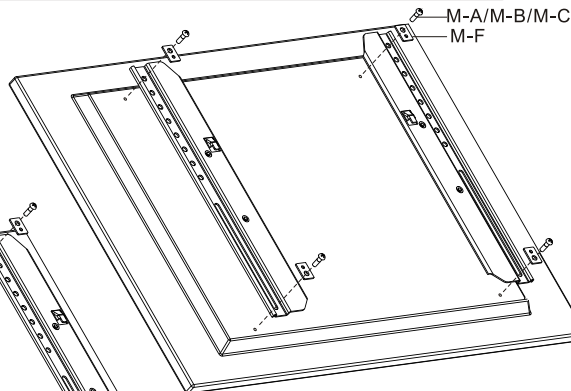


Top of the TV

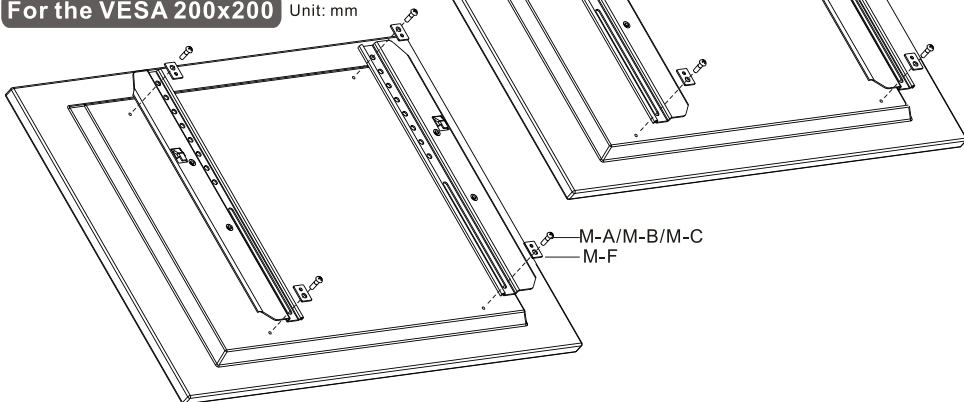
5-1 For Flat Back Screens



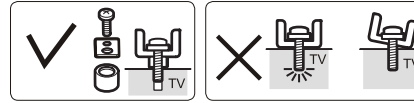
For the VESA 300x300, 400x200, 400x400, 600x400 Unit: mm



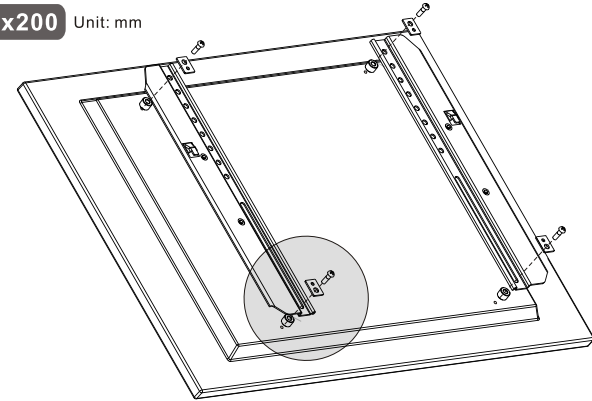
For the VESA 200x200 Unit: mm



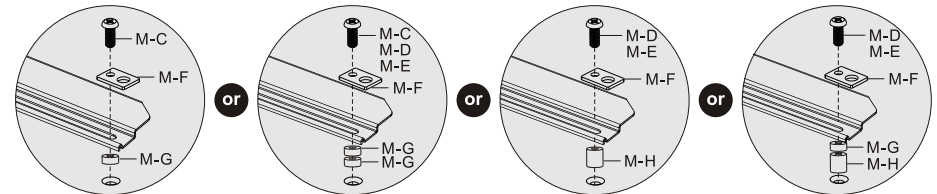
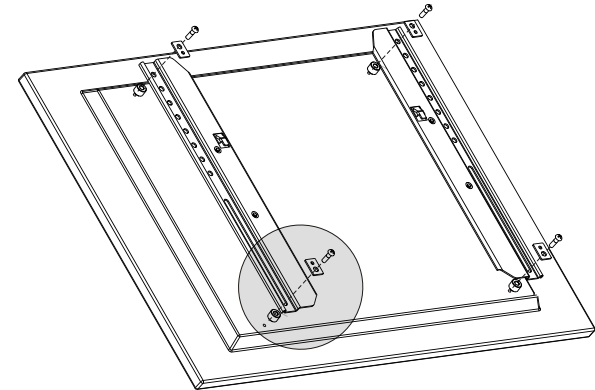
5-2 For Recessed Back Screens



For the VESA 200x200 Unit: mm



For the VESA 300x300, 400x200, 400x400, 600x400 Unit: mm

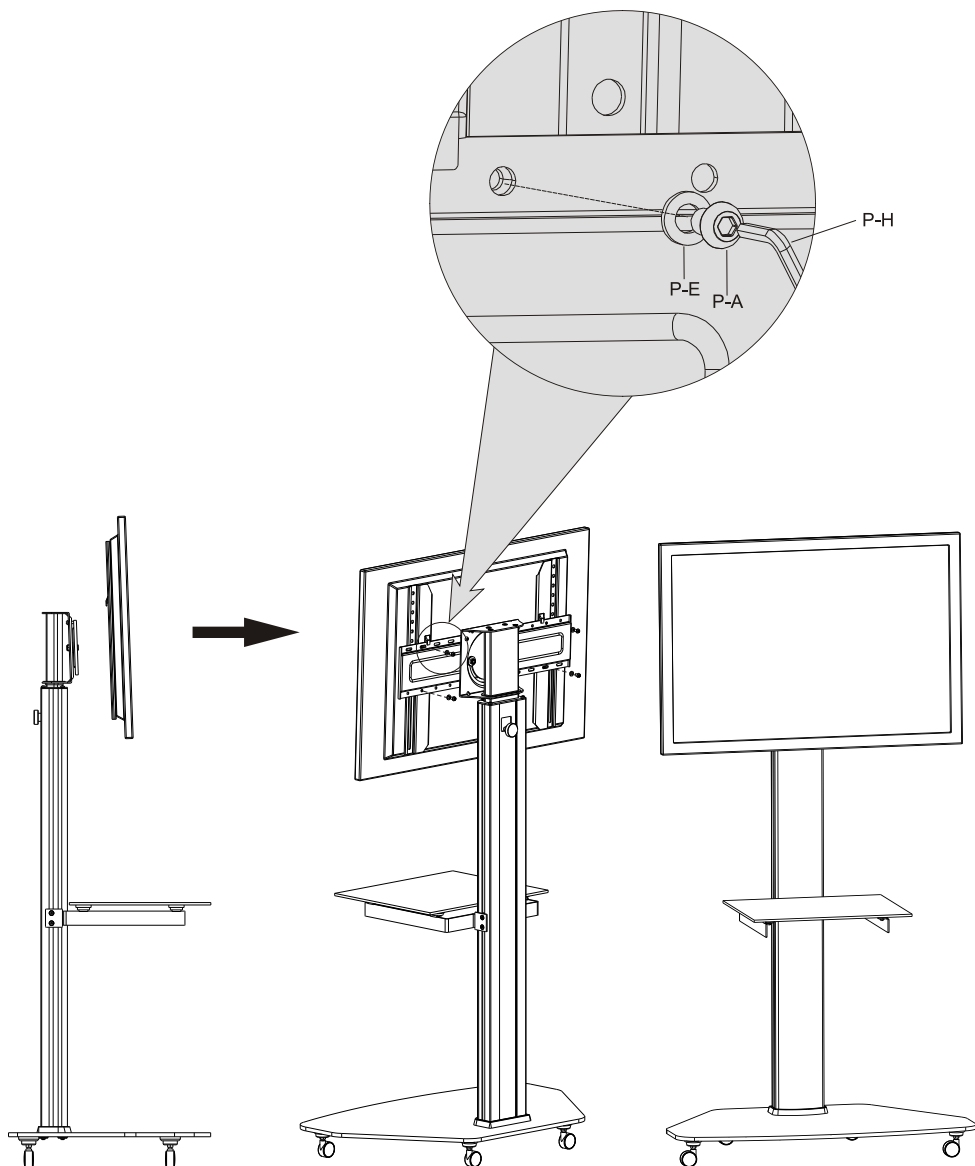


- Note:** Choose the appropriate screws, washers and spacers (if necessary) according to the type of screen.
- Position the adapter brackets as close as possible to the center of the TV.
 - Screw the adapter brackets onto the TV.

Tighten all screws but do not over tighten.

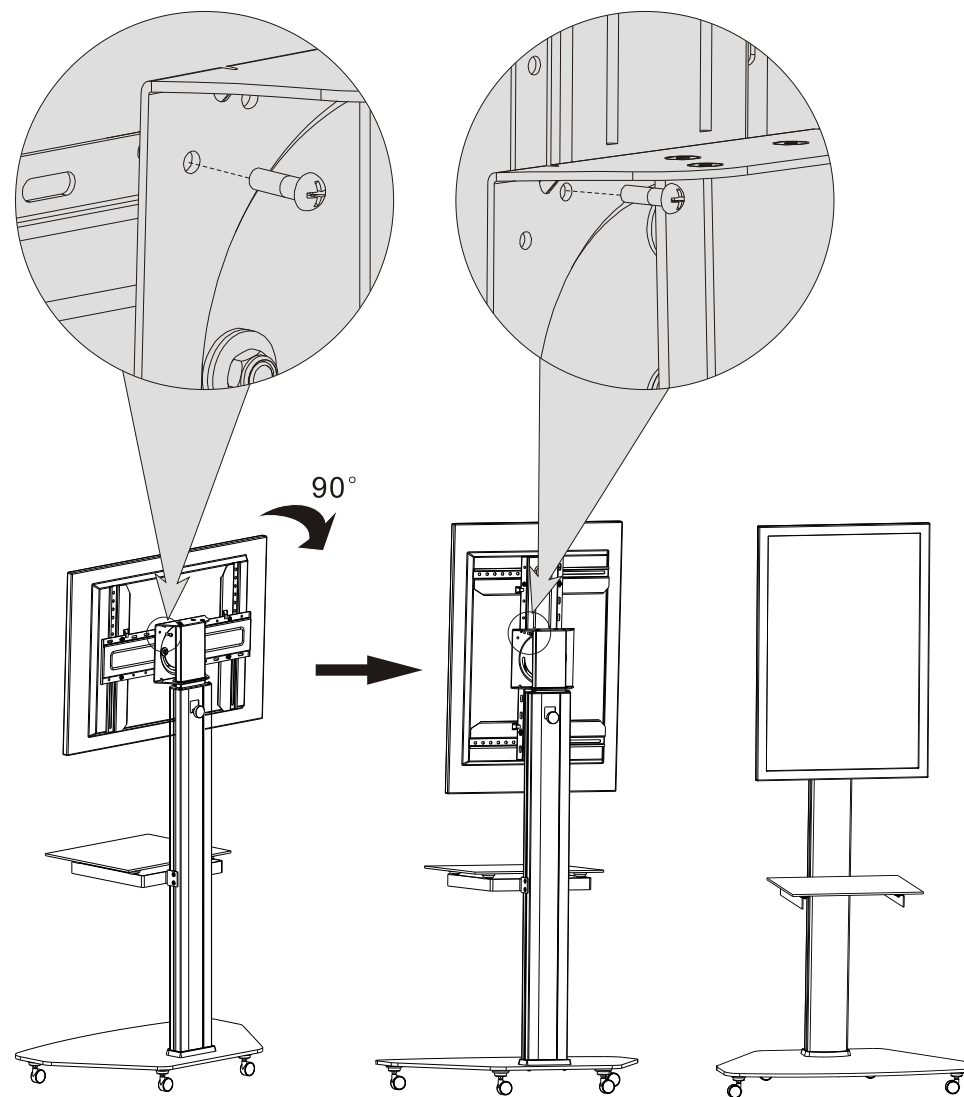
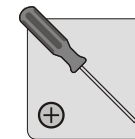
6. Installing the TV

6a. Landscape View



Attach the TV to the top plate with the appropriate combination of screws and washers.

6b. Portrait View



Remove the screw on the top plate to rotate the TV (with attached brackets and top plate at 90°), Secure with just removed screw into a different position.