

**QPA79-464**

MOST  
**40"-75"**  
MAX VESA 600x400

RATED  
**50kg**  
110lbs

19.5~  
**250mm**

Four Times  
Strength  
Tested

Bubble Level

VESA  
Compatible

100x200,200x200,200x300,300x200  
200x400,400x200,300x300,300x400  
400x300,600x200,400x400,600x300  
600x400

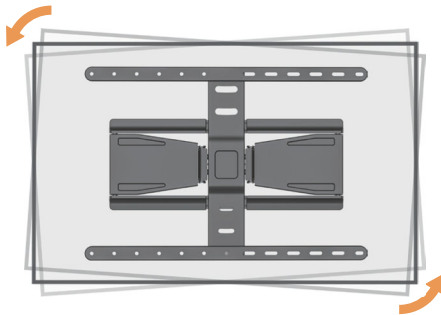


Swivel Range: +30° to -30°



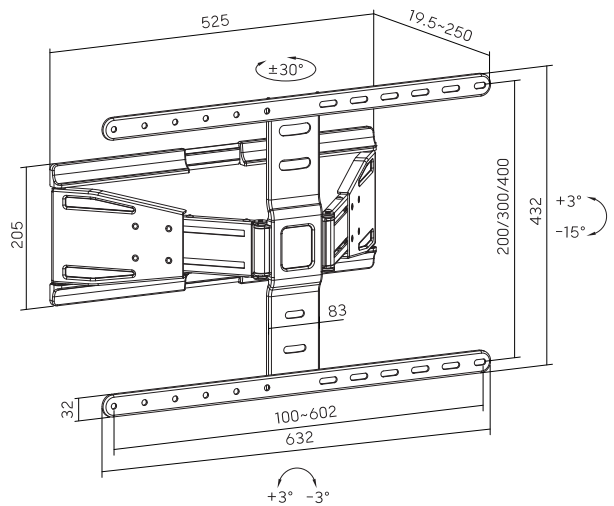
**Easy to Install**

Featuring a robust mounting hook to enhance stability and safety.



Level Adjustment: +3° to -3°

Dimensions (mm)



Q-Tee offers the most comprehensive range of brackets and mounts for LED / LCD / OLED and Plasma Displays. Our products are engineered to the highest quality and designed to fit VESA and Non-VESA standards to make installations quick and easy. Regardless of the application, Q-Tee has the solution to suit your requirements for both domestic and commercial applications.

Q-Tee is a registered trademark of 'Quantum Sphere Pty Ltd, PO Box 6077, Dural, NSW 2158, Australia

[www.qsphere.com.au](http://www.qsphere.com.au)



**QUANTUM SPHERE**  
GATEWAY TO EXCELLENCE

