

QPA75-446

MOST
23"-40"
(MAX VESA 400x400)

RATED
45kg/99lbs

55-475mm

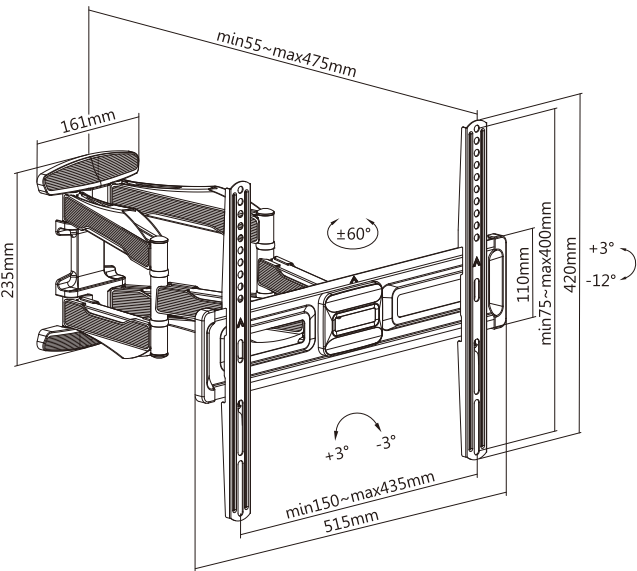
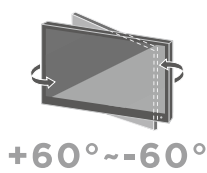
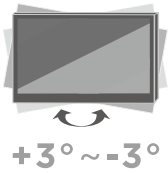
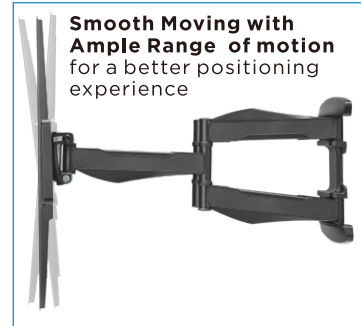
Curved TV

Cable Management

Three Times
Strength
Tested

VESA
Compatible

150x100,200x100,150x150,
200x200,200x300,300x200,
200x400,400x200,300x300,
300x400,400x300,400x400



Q-Tee offers the most comprehensive range of brackets and mounts for LED / LCD / OLED and Plasma Displays. Our products are engineered to the highest quality and designed to fit VESA and Non-VESA standards to make installations quick and easy. Regardless of the application, Q-Tee has the solution to suit your requirements for both domestic and commercial applications.

Q-Tee is a registered trademark of 'Quantum Sphere Pty Ltd, PO Box 6077, Dural, NSW 2158, Australia

www.qsphere.com.au



QUANTUM SPHERE
GATEWAY TO EXCELLENCE