

QPA49-686

MOST
50"-90"
MAX VESA 800x600

RATED
75kg/165lbs

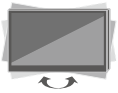
69-635mm

Curved TV

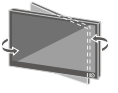
VESA
Compatible

200x200 300x200 300x300
400x200 400x300 400x400
600x400 800x400 800x600

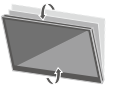
RoHS



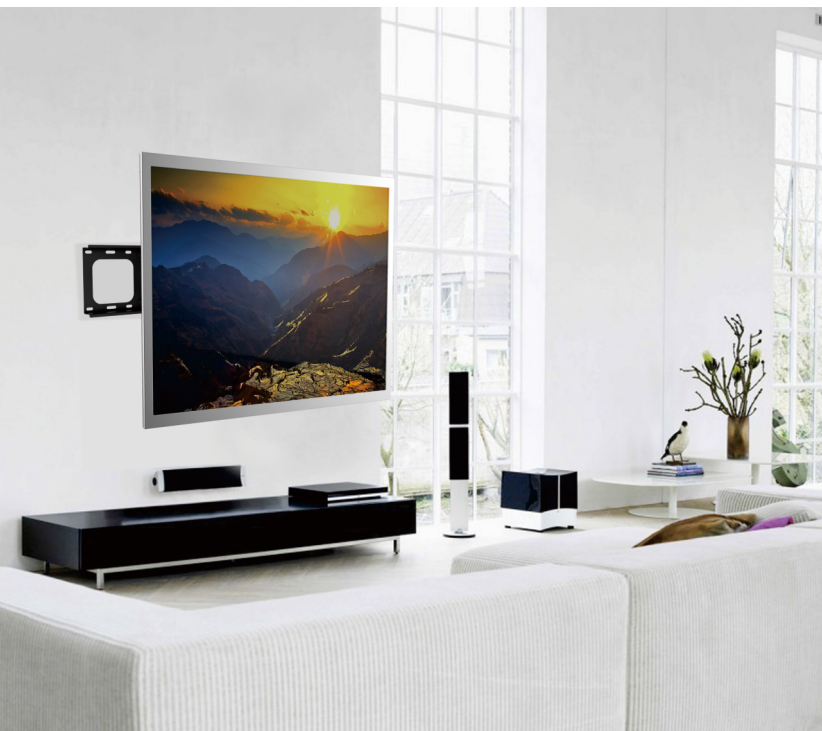
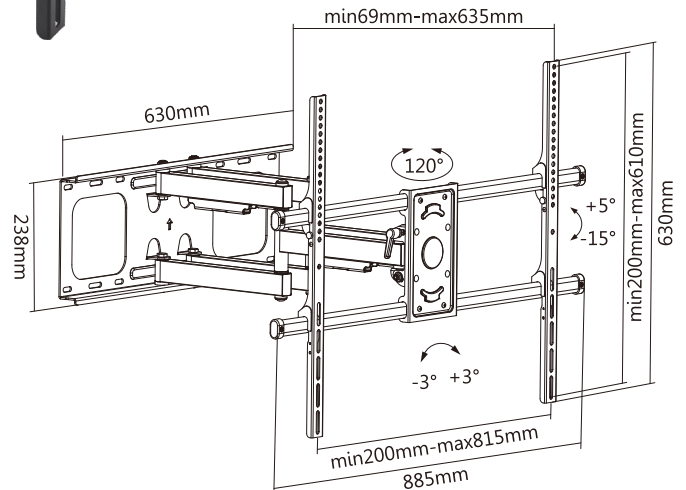
+3° ~ -3°



+60° ~ -60°



-15° ~ +5°



Q-Tee offers the most comprehensive range of brackets and mounts for LED / LCD / OLED and Plasma Displays. Our products are engineered to the highest quality and designed to fit VESA and Non-VESA standards to make installations quick and easy. Regardless of the application, Q-Tee has the solution to suit your requirements for both domestic and commercial applications.

Q-Tee is a registered trademark of 'Quantum Sphere Pty Ltd, PO Box 6077, Dural, NSW 2158, Australia

www.qsphere.com.au



QUANTUM SPHERE
GATEWAY TO EXCELLENCE