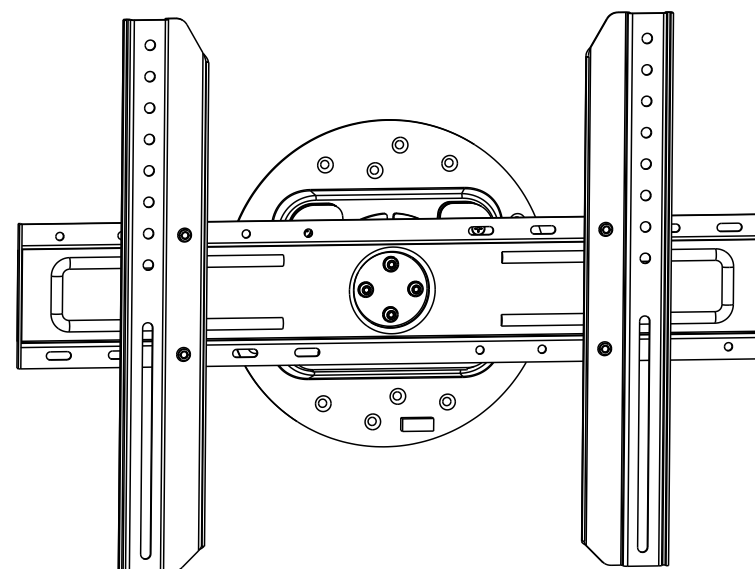





# Fixed Wall Mount

### Maintenance

- Check that the bracket is secure and safe to use at regular intervals (at least every three months).
- Please contact your distributor if you have any questions.



**CAUTION: DO NOT EXCEED RATED LISTED WEIGHT. SERIOUS INJURY OR PROPERTY DAMAGE MAY OCCUR!**

QP12-46F	 200x200/300x300 400x200/400x400 600x400	 70" MAX	 50kg (110lbs) RATED
----------	---	--	---

ISSUED: SEP. 2013

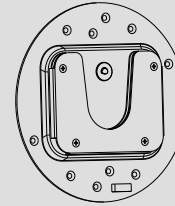
**NOTE:** Read the entire instruction manual before you start installation and assembly.

## WARNING

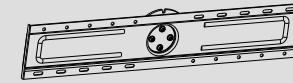
- Do not begin the installation until you have read and understood all the instructions and warnings contained in this installation sheet. If you have any questions regarding any of the instructions or warnings, please contact your local distributor.
- This mounting bracket was designed to be installed and utilised **ONLY** as specified in this manual. Improper installation of this product may cause damage or serious injury.
- This product should only be installed by someone with good mechanical ability who has basic building experience and fully understands this manual.
- Make sure that the supporting surface will safely support the combined weight of the equipment and all attached hardware and components.
- If mounting to wood wall studs, make sure that mounting screws are anchored into the center of the studs. The use of a stud finder is highly recommended.
- Always use an assistant or mechanical lifting equipment to safely lift and position the equipment.
- Tighten screws firmly, but do not over tighten. Over tightening can cause damage to the items, This greatly reduces their holding power.
- This product is intended for indoor use only. Using this product outdoors could lead to product failure and personal injury.

## Component Checklist

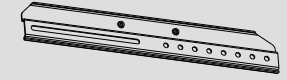
**IMPORTANT:** Ensure that you have received all parts according to the component checklist prior to installation. If any parts are missing or faulty, telephone your local distributor for a replacement.



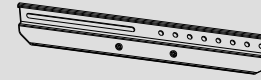
wall plate (x1)  
A



Universal plate (x1)  
B



left adapter bracket (x1)  
C



right adapter bracket (x1)  
D



4mm Allen key (x1)  
E

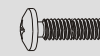


M6x10 (x4)  
F

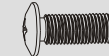


D6 (ø6.6xø12) washer (x4)  
G

### Package M



M5x14 (x4)  
M-A



M6x14 (x4)  
M-B



M8x20 (x4)  
M-C



M6x30 (x4)  
M-D



M8x30 (x4)  
M-E



washer (x4)  
M-F



small spacer (x8)  
M-G

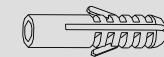


big spacer (x4)  
M-H

### Package W

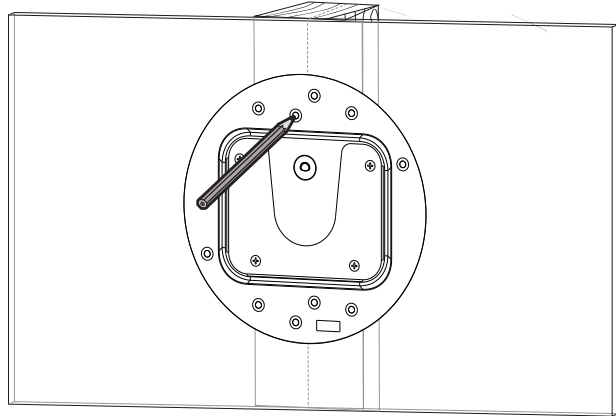
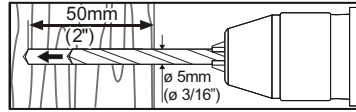
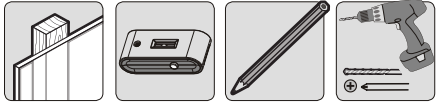


ST6.3x60 (x4)  
W-A

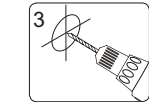
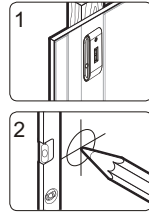


concrete anchor (x4)  
W-B

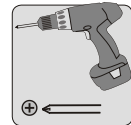
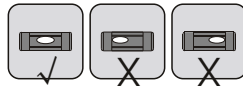
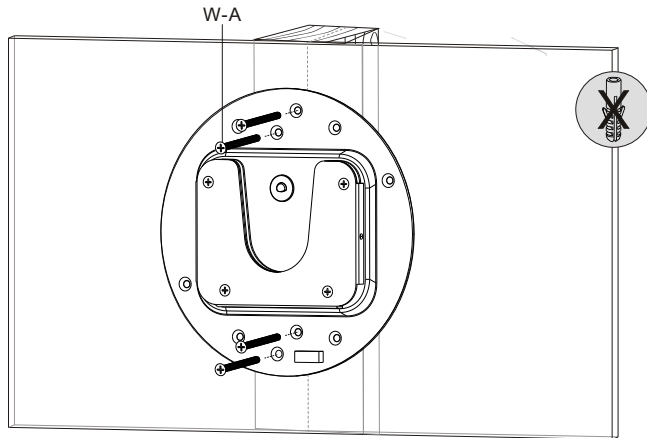
## 1a. For Wood Stud Wall Mounting



Find and mark the exact location of mounting holes



Drill pilot holes

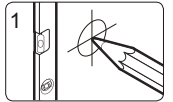
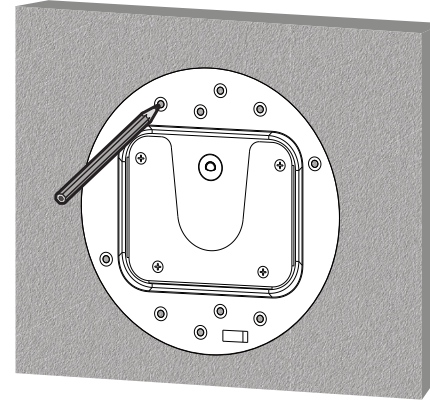
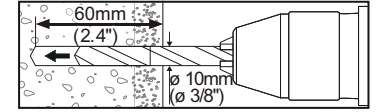
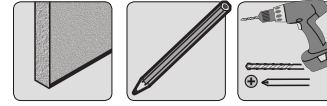


Screw the wall plate onto the wall

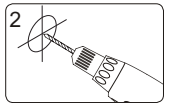
### ! WARNING

- Make sure that mounting screws are anchored into the center of the studs. The use of a stud finder is highly recommended.
- Installers are responsible to provide hardware for other types of mounting situations.
- Installers must verify that the supporting surface will safely support the combined weight of the equipment and all attached hardware and components.

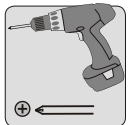
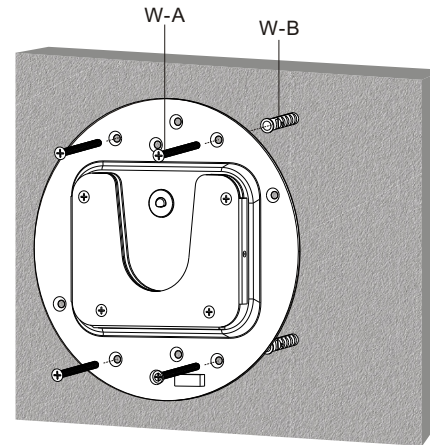
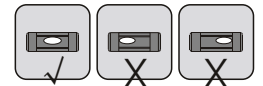
## 1b. For Solid Brick and Concrete Mounting



Mark the exact location of mounting holes



Drill pilot holes

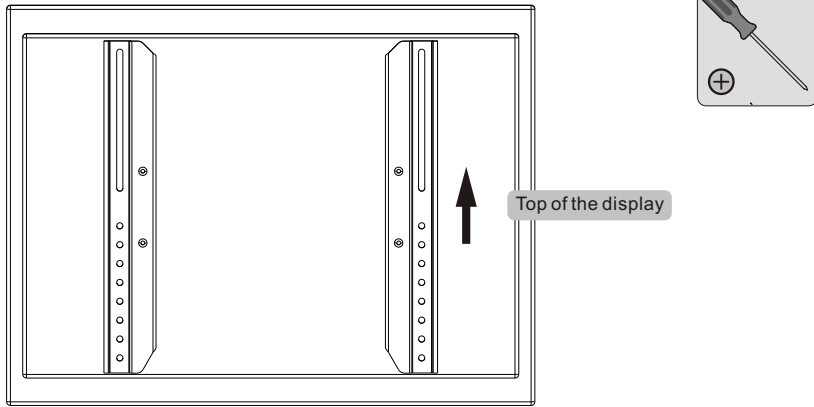


Screw the wall plate onto the wall

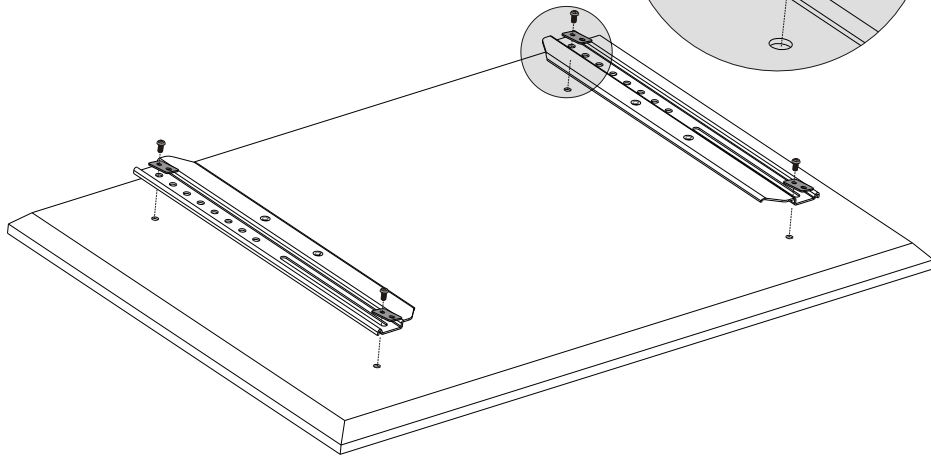
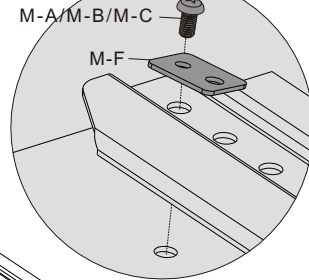
### ! WARNING

Installers must verify that the supporting surface will safely support the combined weight of the equipment and all attached hardware and components.

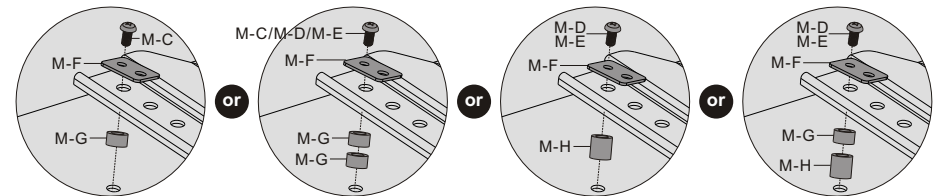
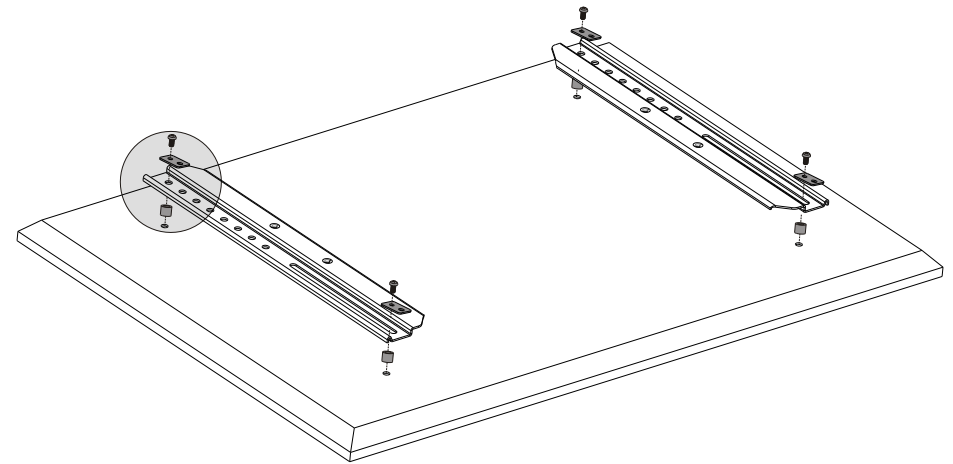
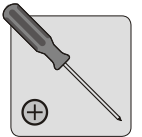
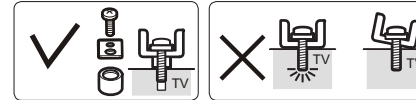
## 2. Installing the Adapter Brackets



### 2-1 For Flat Back Screens



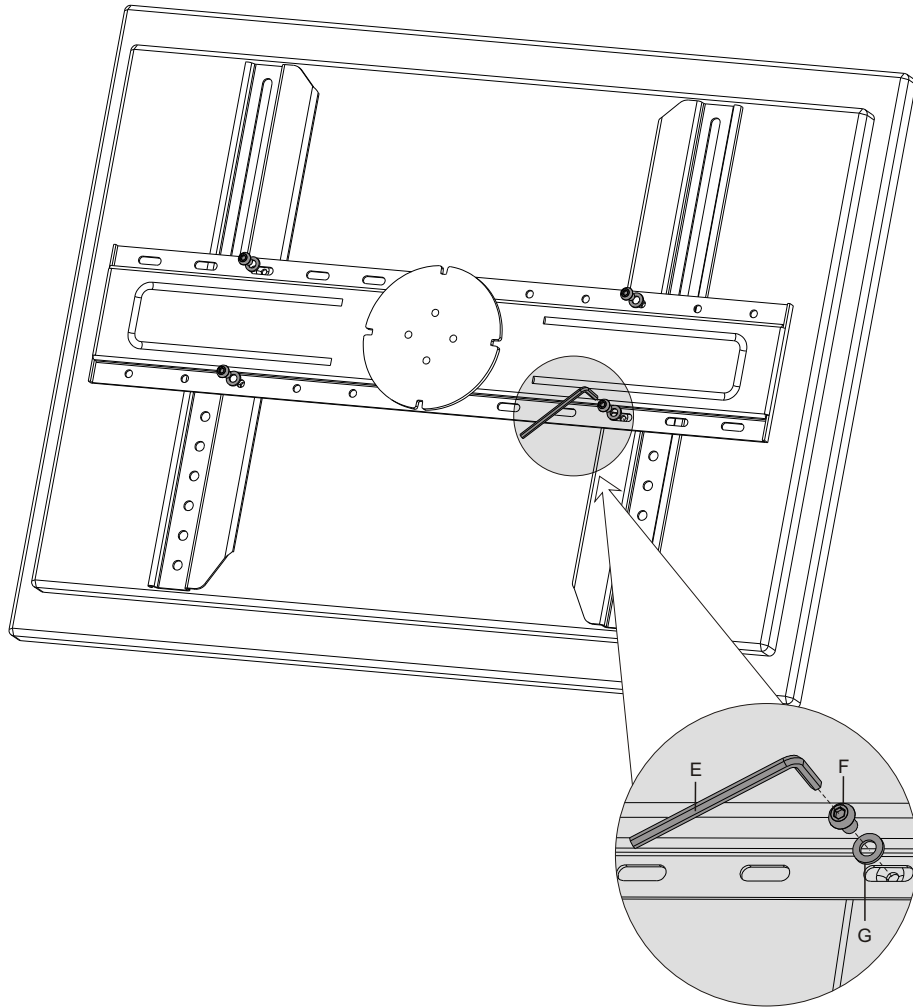
### 2-2 For Recessed Back Screens or to Access A/V Inputs



- Note:** Choose the appropriate screws, washers and spacers (if necessary) according to the type of screen.
- Position the adapter brackets as close as possible to the center of the display.
  - Screw the adapter brackets onto the display.

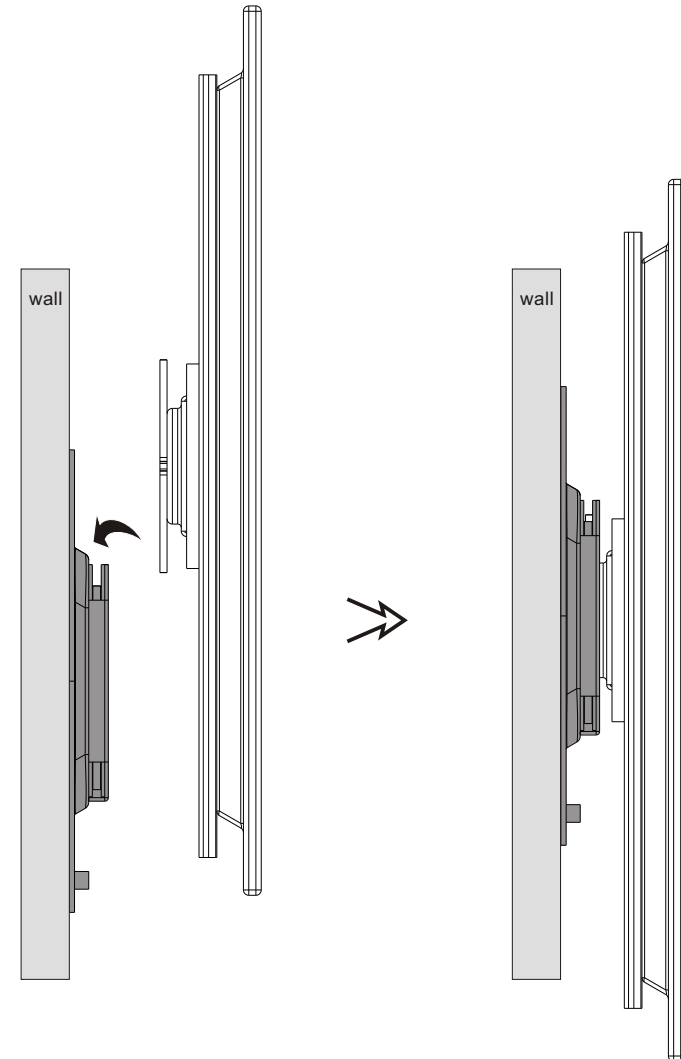
**⚠ Tighten all screws but do not over tighten.**

### 3. Installing the Universal Plate



Attach the universal plate to the back of the adapter brackets using the screws and the washers and tighten all the screws with a 4mm Allen key.

### 4. Hanging the Display onto the Wall Plate

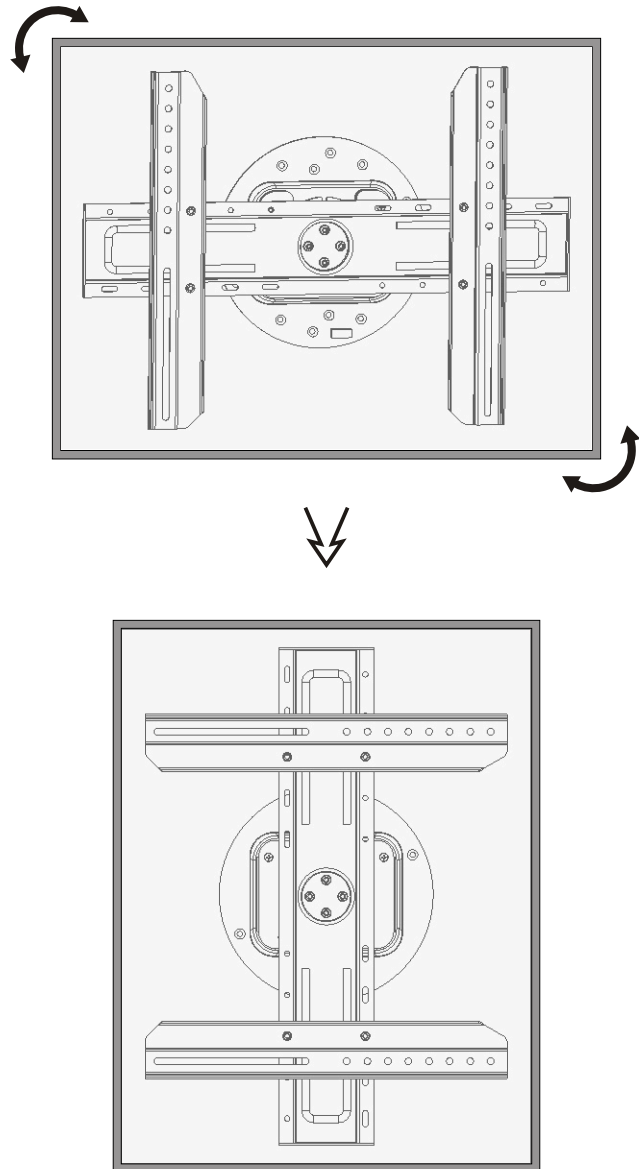


After the wall plate has been safely secured to the wall, lift your display carefully and fit the adapter bracket into the wall plate rail.

**NOTE:** It is easier to install by tilting the display slightly in horizontal direction.

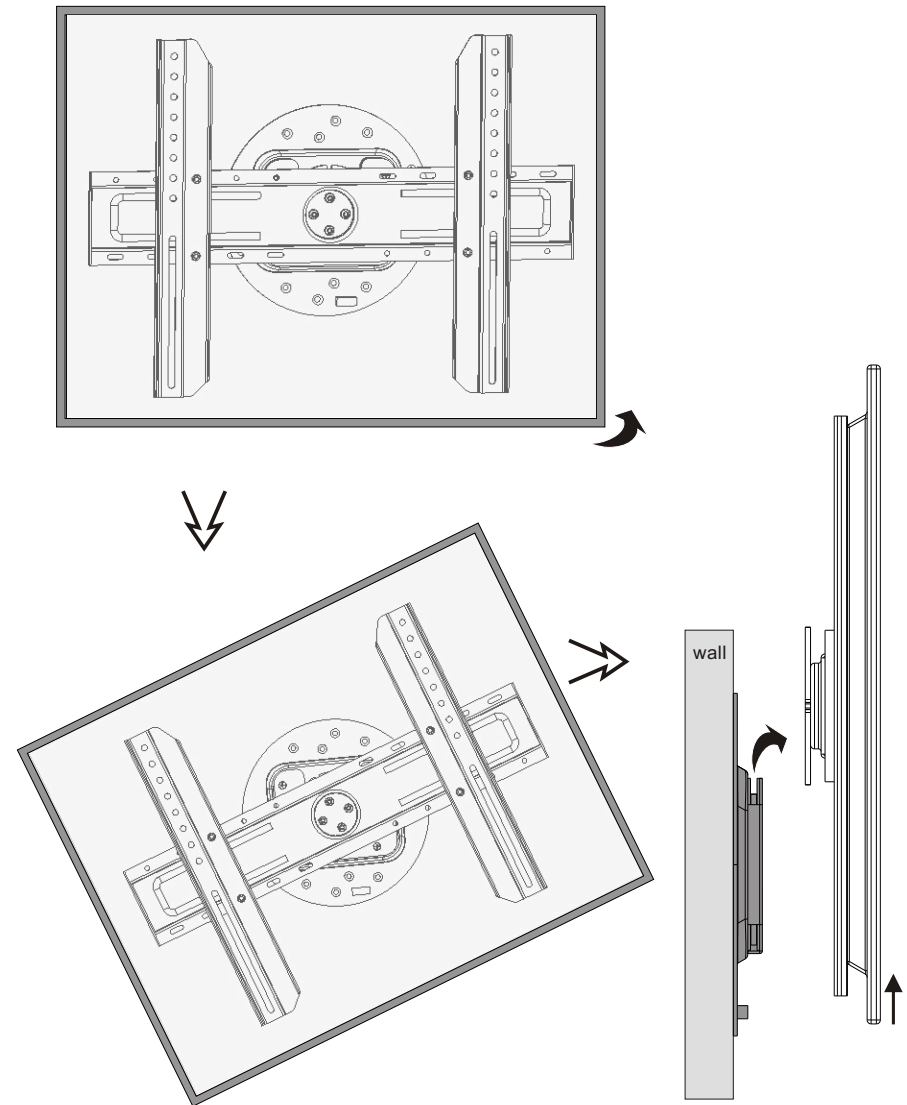
**Important:** Make sure the display is correctly installed before releasing the display.

## 5. Adjustment



Firmly hold two edges of the display and turn it into the desired angle. The pitching angle can be adjusted in a position of 0°, 90°, 180° and 270°.

## 5. Removing the Display



To remove the display from the mount, turn the display into an inclined position to lift the display.  
**Note:** Make sure the rotation angle of the display is not in a horizontal and vertical position, but in an inclined position.