

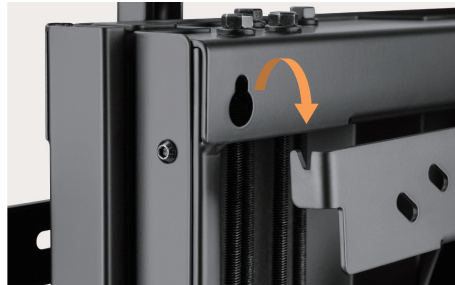


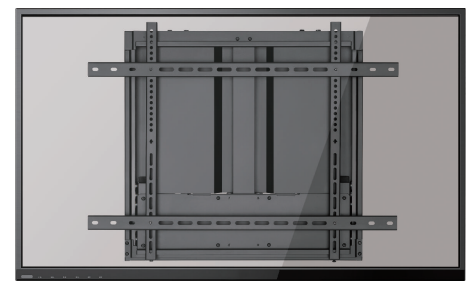
<b>QAW400-M</b>	MOST <b>50"-75"</b> <small>MAX VESA 800x600</small>	RATED <b>40-60kg</b> <small>88-132lbs</small>	127mm	Four Times Strength Tested	Bubble Level	 <b>VESA</b> Compatible 200x200,300x200,400x200 300x300,400x300,400x400 600x400,700x400,800x400 800x500,800x600 
-----------------	---	---	-------	----------------------------------	--------------	--



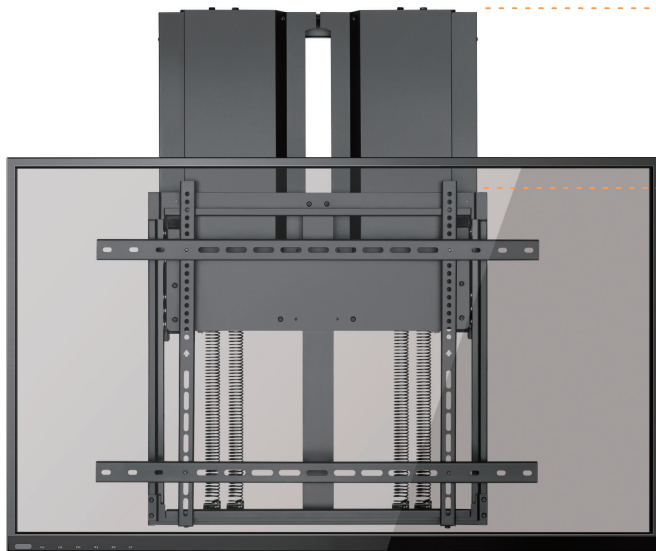
**Weight Balance Design**  
easily accommodates the different weights of displays



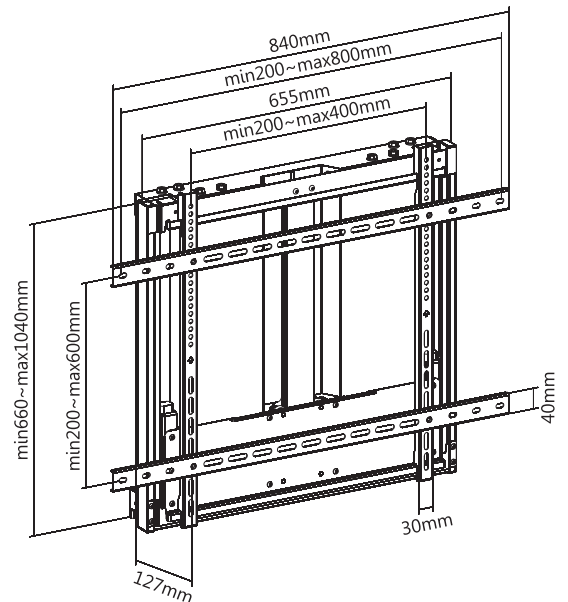
**Keyhole Pattern**  
for easy and quick installation



**Compact Design**  
allows the mount to hide behind the screen when not in use



**400mm (15.7")**  
**Smooth Height Adjustment**  
allows for any desired display position



Q-Tee offers the most comprehensive range of brackets and mounts for LED / LCD / OLED and Plasma Displays. Our products are engineered to the highest quality and designed to fit VESA and Non-VESA standards to make installations quick and easy. Regardless of the application, Q-Tee has the solution to suit your requirements for both domestic and commercial applications.

Q-Tee is a registered trademark of 'Quantum Sphere Pty Ltd, PO Box 6077, Dural, NSW 2158, Australia

[www.qsphere.com.au](http://www.qsphere.com.au)

