

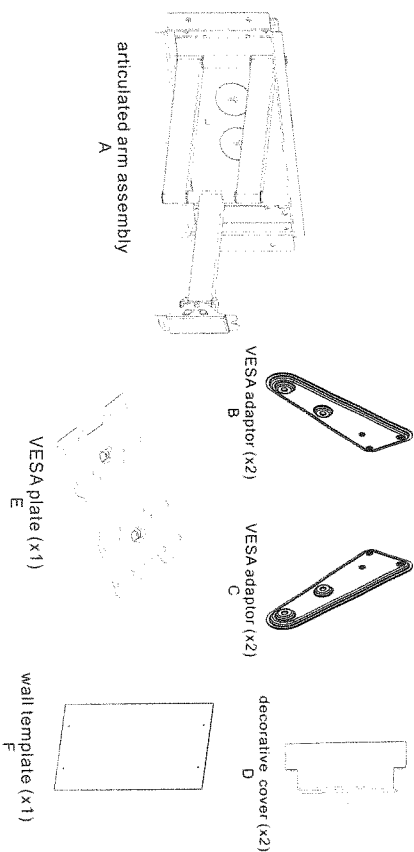
**NOTE:** Read the entire instruction manual before you start installation and assembly.

## ⚠ WARNING

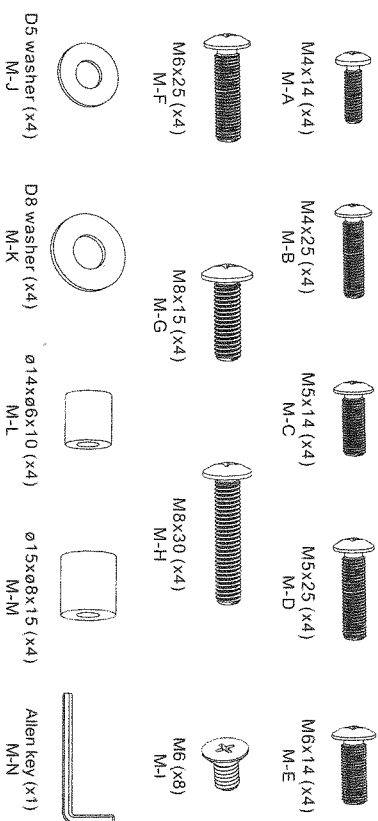
- Do not begin the installation until you have read and understood the instructions and warnings contained in this installation sheet. If you have any questions regarding any of the instruction or warning, please contact your local distributor.
- This mounting bracket was designed to be installed and utilized **ONLY** as specified in this manual. Improper installation of this product may cause damage or serious injury.
- This product should only be installed by someone of good mechanical ability, with basic building experiences and fully understanding of this manual.
- Make sure that the supporting surface will safely support the combined load of the equipment and all attached hardware and components.
- Never exceed the maximum load capacity.
- If mounting to wood wall studs, make sure that mounting screws are anchored into the center of the studs. Use of a stud finder is highly recommended.
- Always use an assistant or mechanical lifting equipment to safely lift and position equipment.
- Tighten screws firmly, but do not over tighten. Over tightening can damage the items, greatly reducing their holding power.
- This product intended for indoor use only. Using this product outdoors could lead to product failure and personal injury.

## Component Checklist

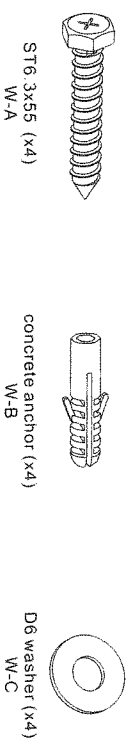
**IMPORTANT:** Ensure that you have received all parts according to the component checklist prior to installing. If any parts are missing or faulty, telephone your local distributor for a replacement.



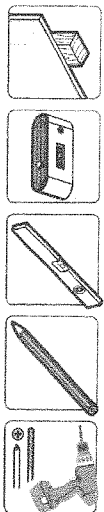
### Package M



### Package W

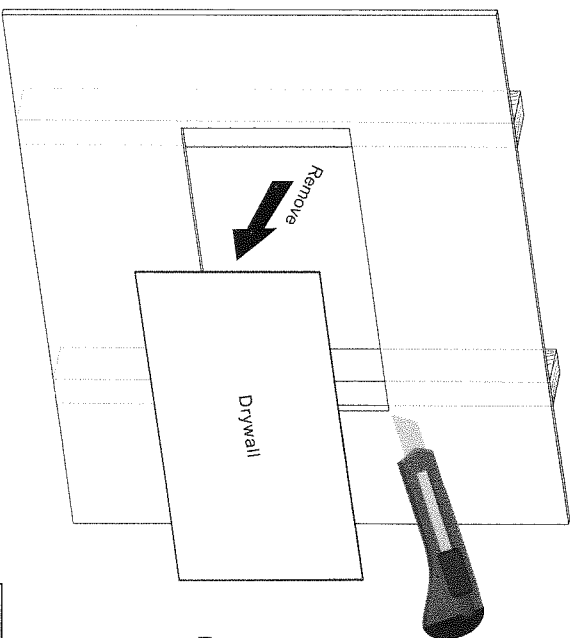
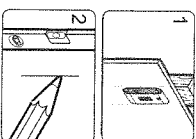
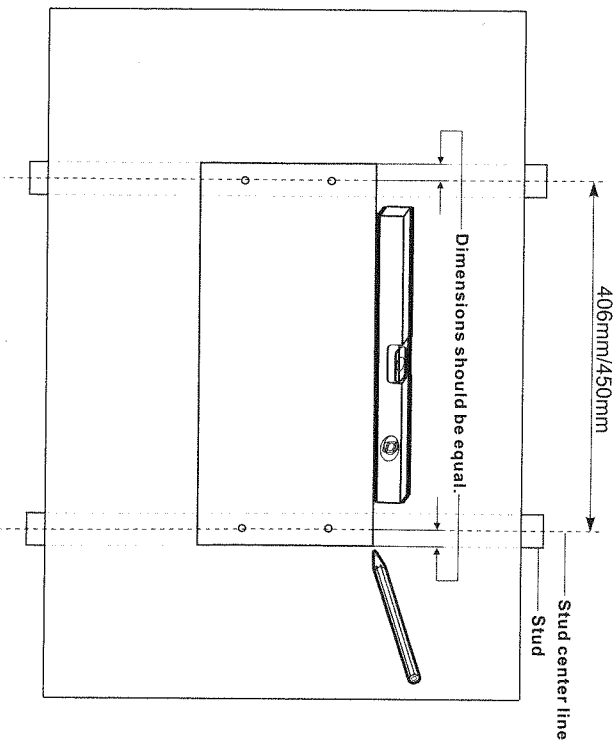


# 1. Mount on Wood Stud Wall

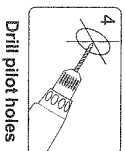
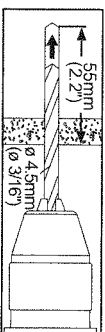


Note: Determine the exact mounting height prior to installation.

**!** LDA07-443W: for 406mm stud  
 LDA07-443WA: for 450mm stud



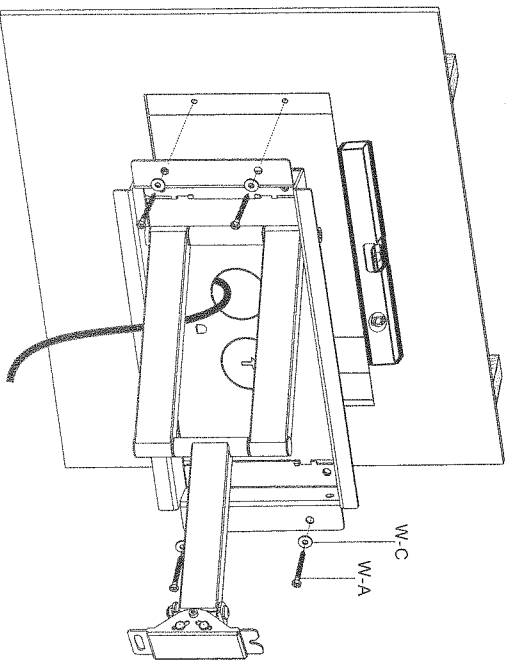
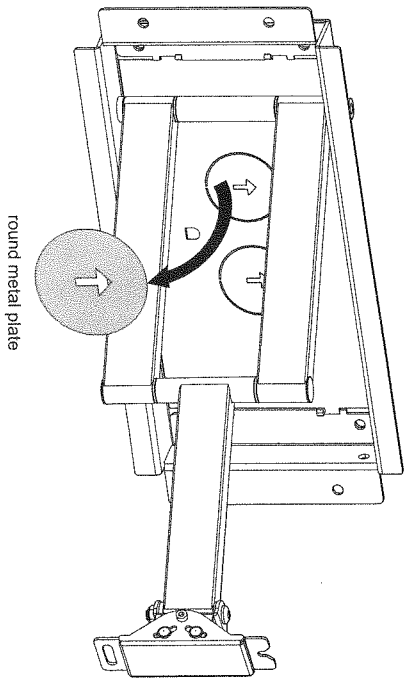
Remove the outlined drywall.



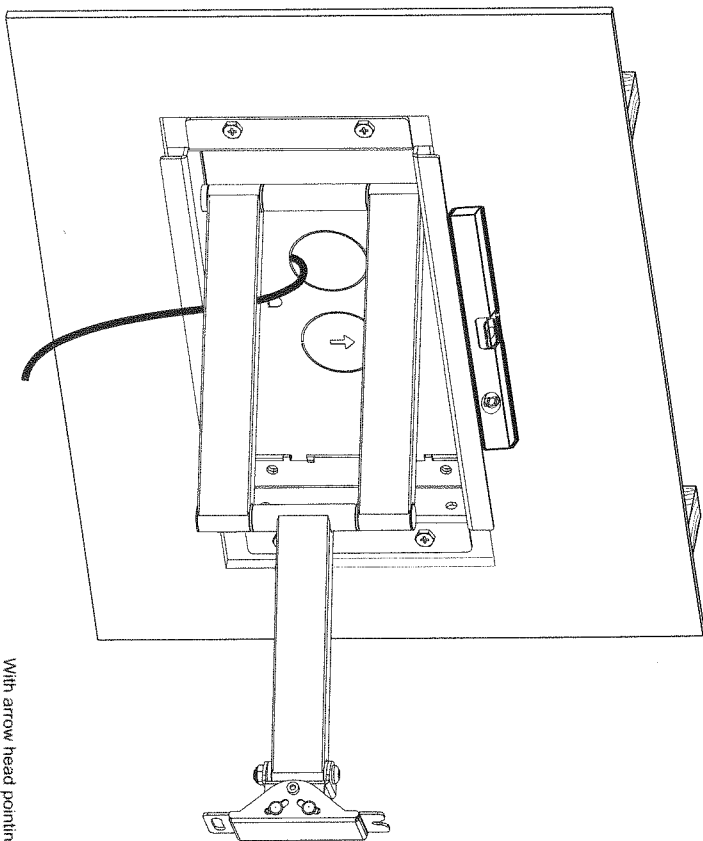
Using a pencil, draw the outline of wall template.

Level the wall template and use wall template to mark the exact location of mounting holes.

Note: Remove the round metal plate for routing AV cables.



Screw the wall mount into the wall

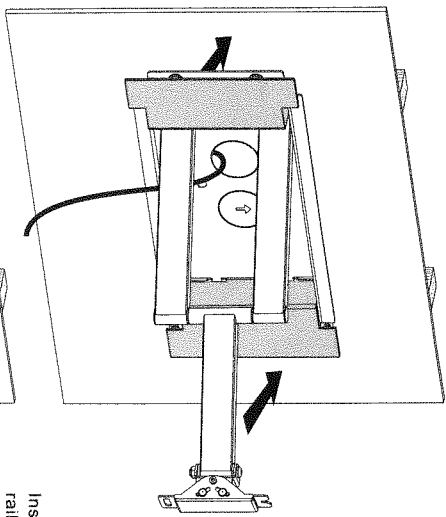


With arrow head pointing up.

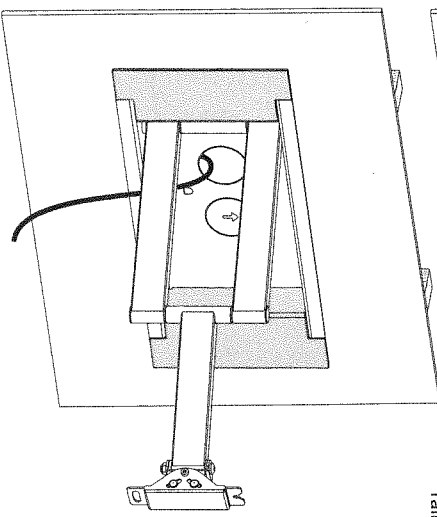
### ⚠ WARNING

- Make sure that mounting screws are anchored into the center of the studs. Use of a stud finder is highly recommended.
- Installers are responsible to provide hardware for other types of mounting situations.
- Installer must verify that the supporting surface will safely support the combined load of the equipment and all attached hardware and components.

## 2. Install Decorative Covers



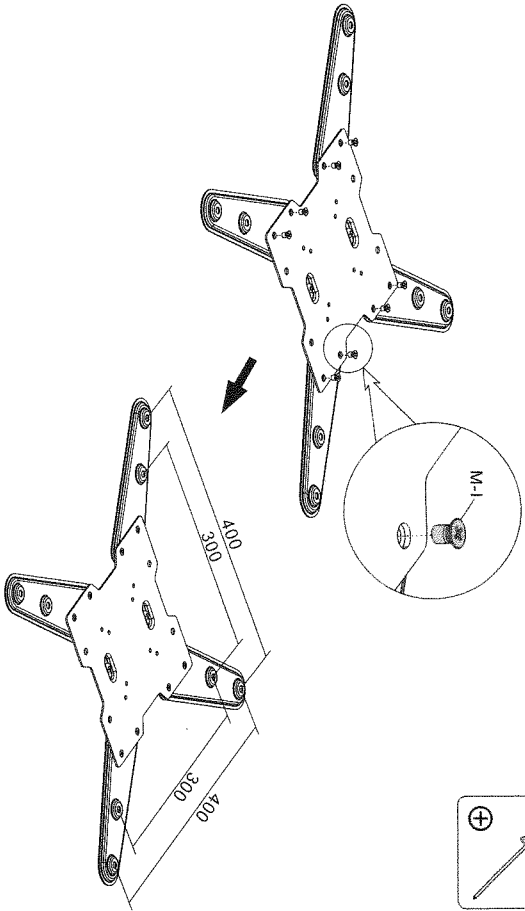
Insert the decorative covers into the wall plate rail until they snug fit onto the wall plate.



## 4. Assemble VESA Adaptors

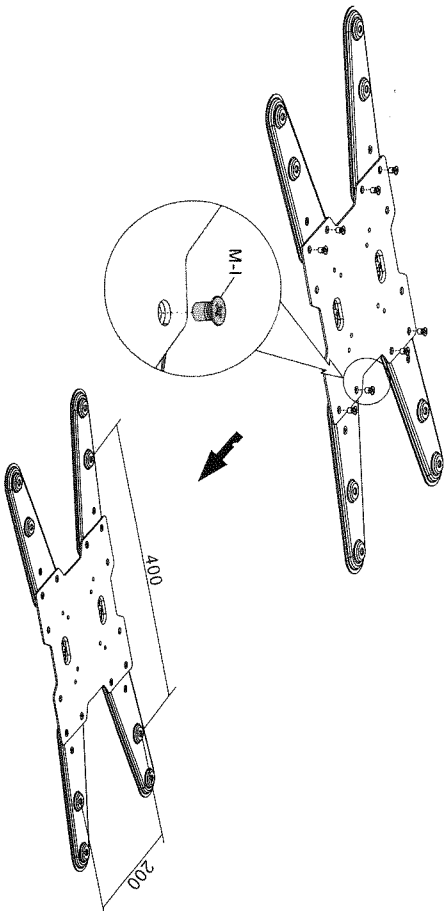
4a VESA 300x300, 400x400

Unit: mm

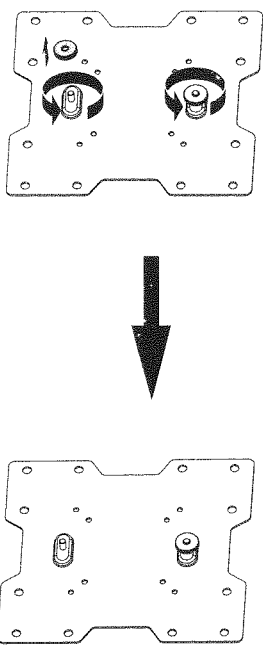


4b VESA 400x200

Unit: mm



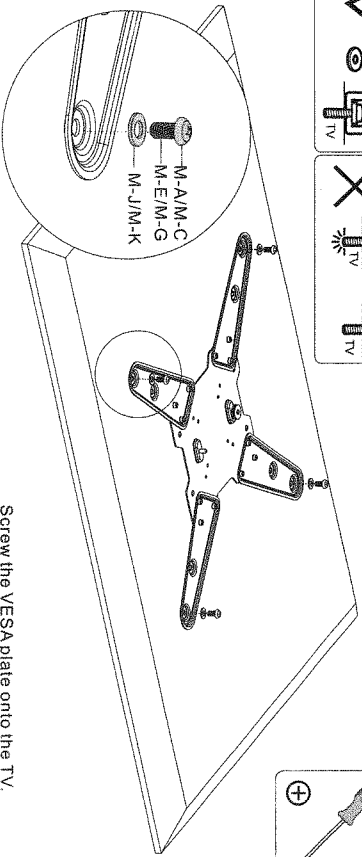
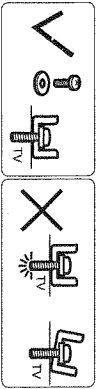
## 3. Remove the Bottom Flat Nut



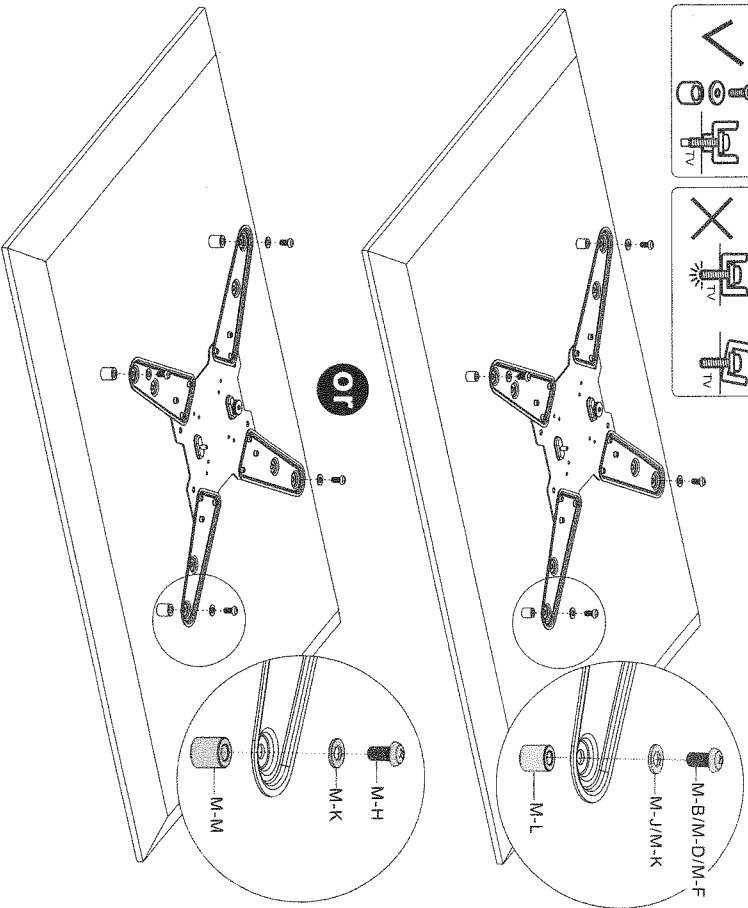
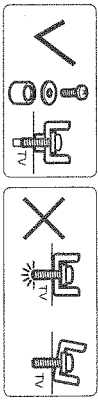
Loosen the top flat nut, remove the bottom flat nut.

## 5. Assemble VESA Plate

5-1 For Flat Back Screen



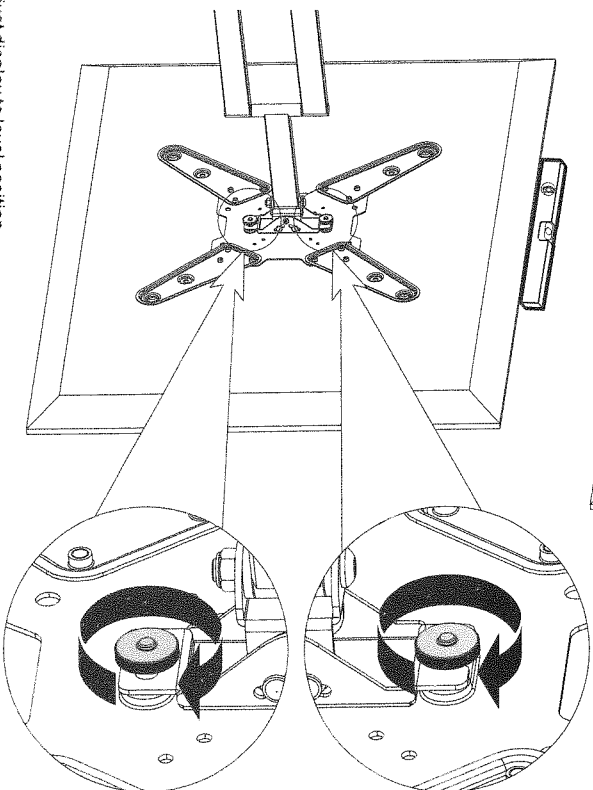
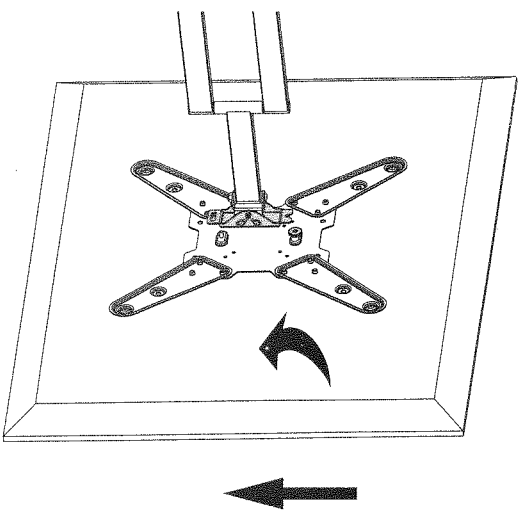
Screw the VESA plate onto the TV.  
 ⚠️ Tighten all screws but do not over tighten.



## 6. Attach Display to Articulated Arm



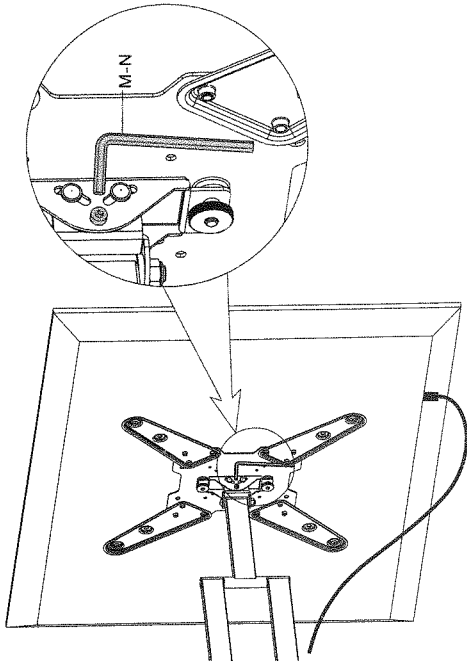
Two qualified persons are required



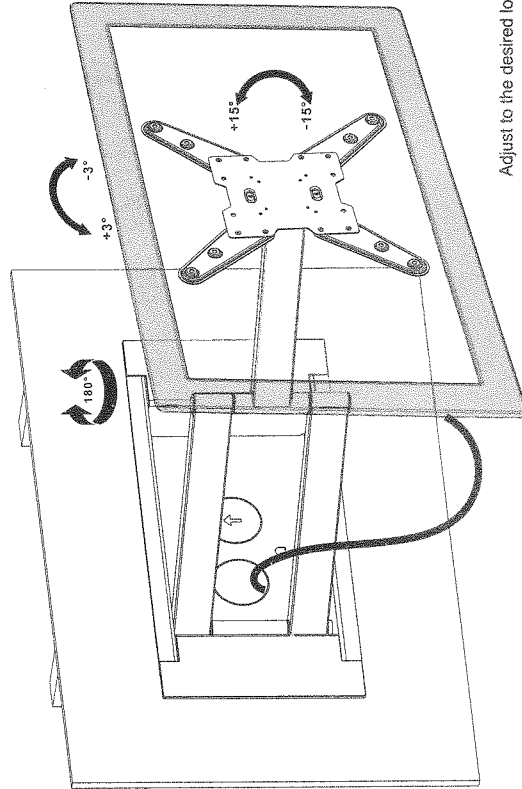
· Adjust display to level position.  
 · Place the bottom flat nut; tighten both top and bottom flat nuts.

# Full Motion LED, LCD TV In-Wall Mount

## 7. Adjustment



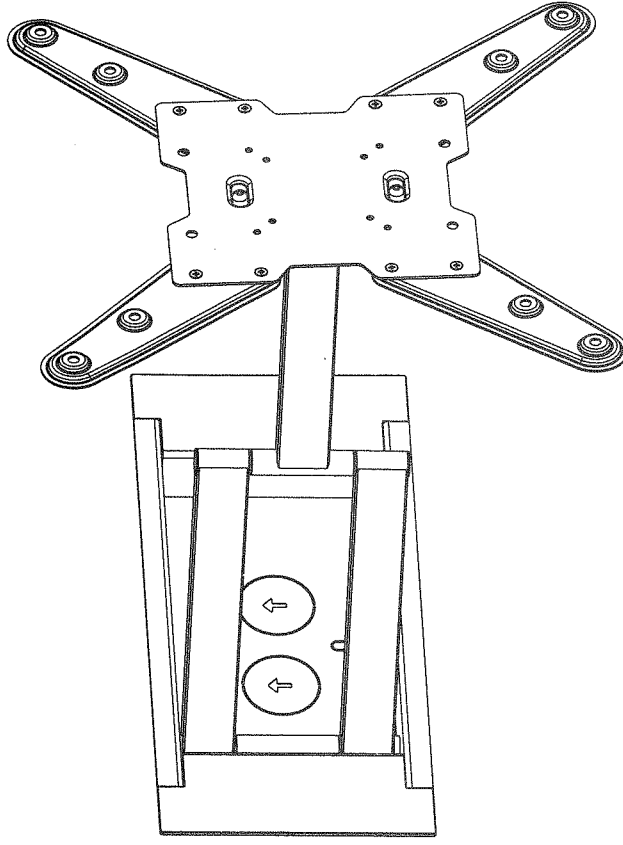
Slightly loosen or tighten the screws is required due to different weight of displays.



Adjust to the desired location or tilt.

### Maintenance

- Check that the bracket is secure, and safe to use at regular intervals (at least every three months).
- Please contact your dealer if you have any questions.



**CAUTION: DO NOT EXCEED MAXIMUM LISTED WEIGHT CAPACITY. SERIOUS INJURY OR PROPERTY DAMAGE MAY OCCUR!**

**LDA07-443W**  
Fit For 406mm/16" Stud

**LDA07-443WA**  
Fit For 450mm/17.7" Stud



75x75/100x100  
200x100/200x200  
400x200/300x300  
400x400

