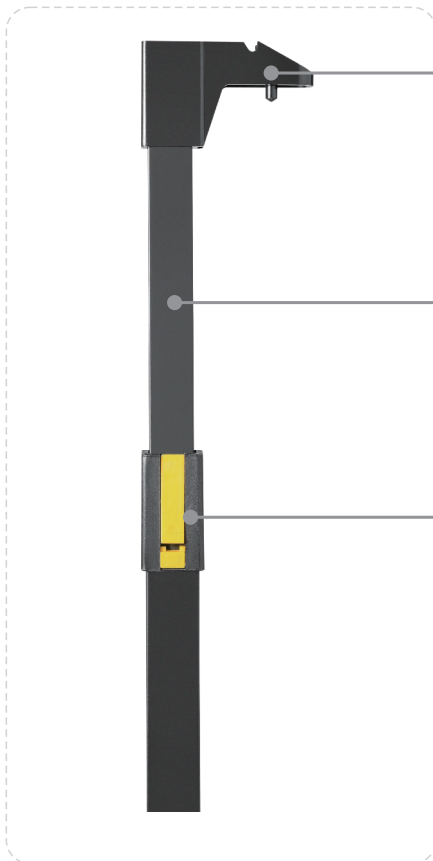


Tripod Screen

- 1** Spread out the tripod foot to make the screen stable, firm and vertical.



- 2** Push button A while pull up the rod to extend the tripod.



Turn the crook to front.



1. This part pull upward while pushing button A to adjust the height of the tripod.
2. Before pushing button A pls first pull button B downward.

Button A

Button A

Button B



3 Pull up screen and hang the hook into the concave place on the top of tripod.



4 Up the lock button C and move the handle up and down to adjust the screen bottom position.



Lock button C