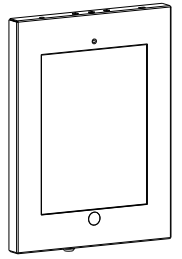
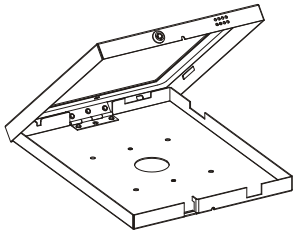
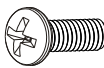
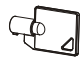




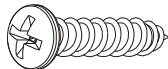

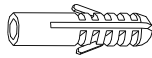




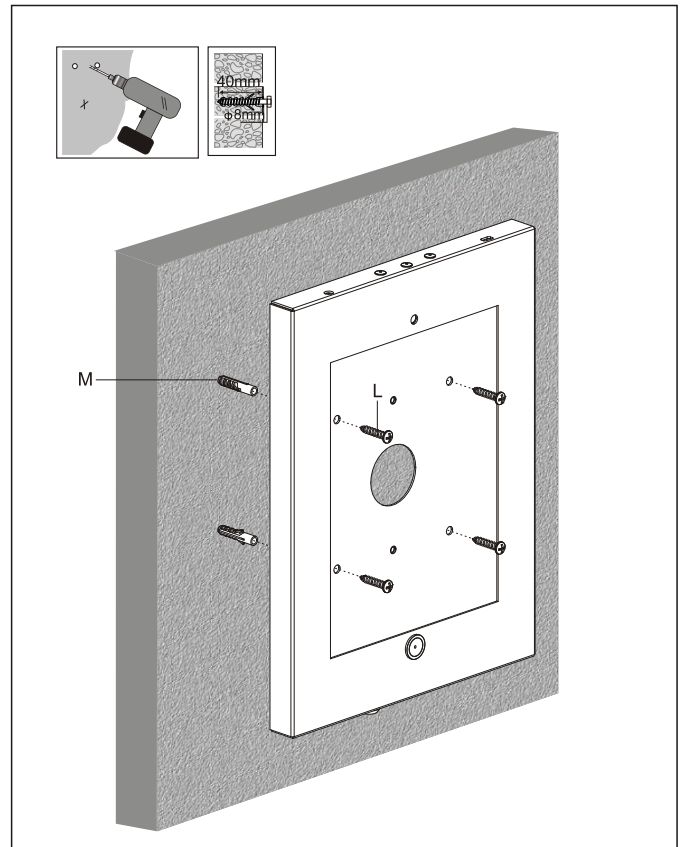
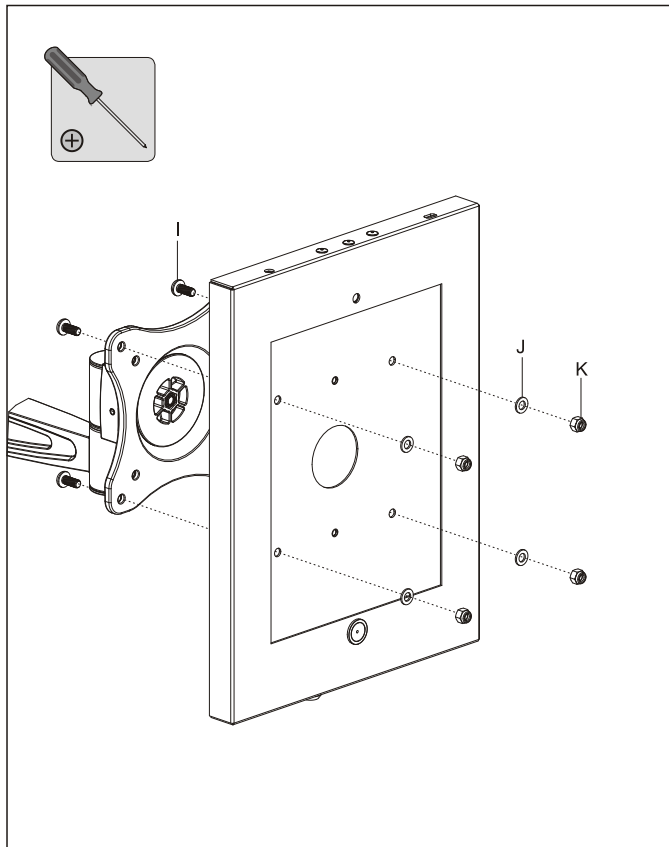


PAD12

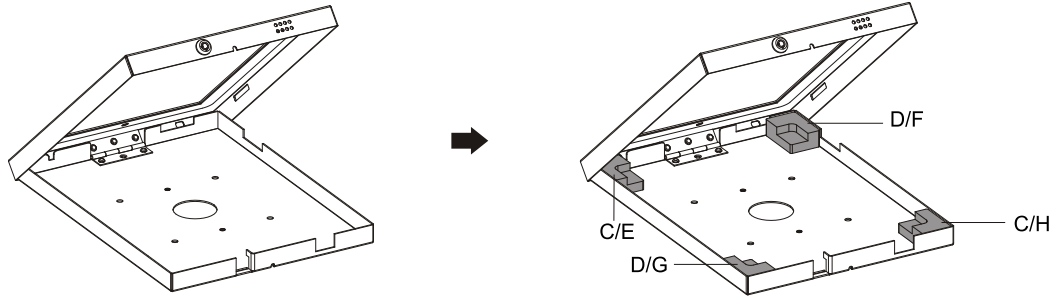
Installation Instruction



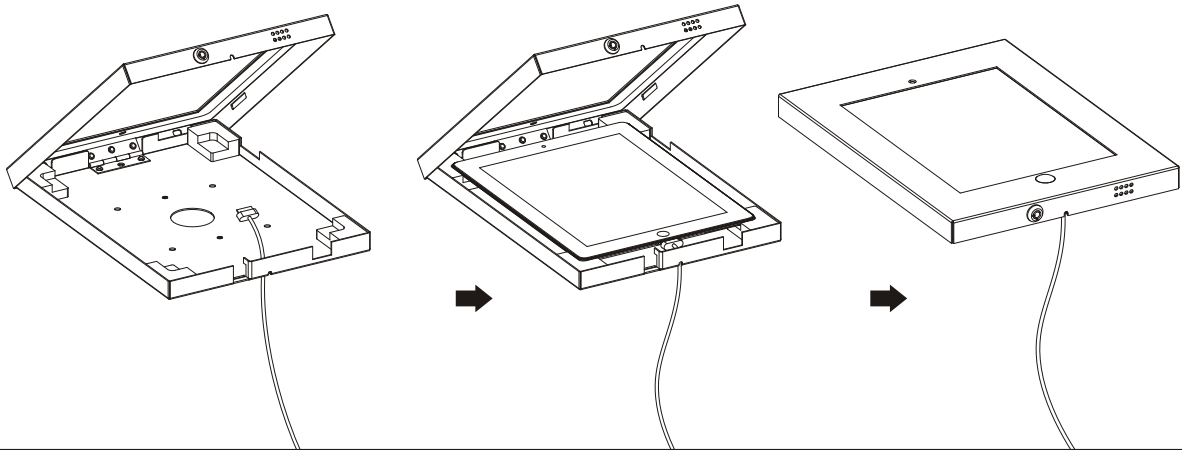
ITEM	DESCRIPTION/PART NO.	QUANTITY	ITEM	DESCRIPTION/PART NO.	QUANTITY
A	 case	1	I	 M5x12	4
B	 key	1	J	 washer	4
C	 silicone pad(A)	2	K	 M5	4
D	 silicone pad(B)	2	L	 ST4.8x30	4
E	 silicone pad(C)	1	M	 concrete anchor	4
F	 silicone pad(D)	1	N	 button	1
G	 silicone pad(E)	1			
H	 silicone pad(F)	1			



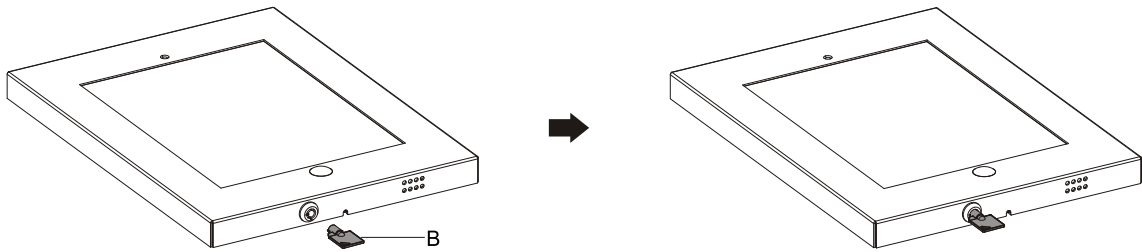
1



2



3



4

