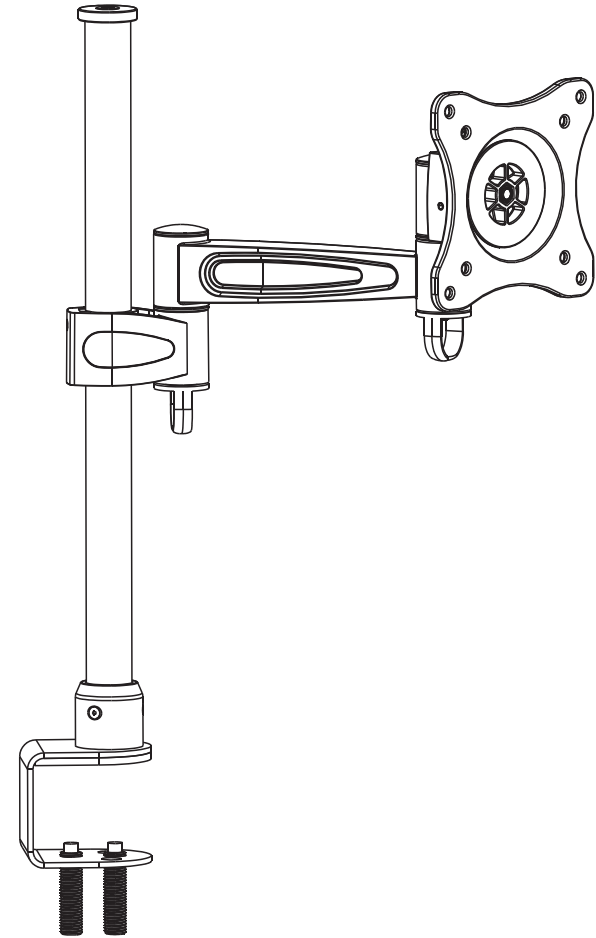




Full-motion Desk Mount



CAUTION: DO NOT EXCEED RATED LISTED WEIGHT. SERIOUS INJURY OR PROPERTY DAMAGE MAY OCCUR!

LCD-T12



75x75
100x100



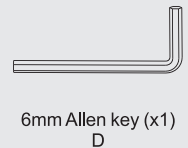
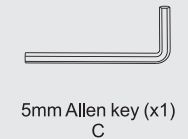
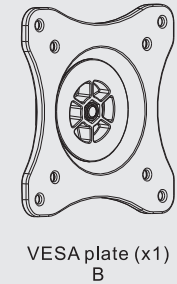
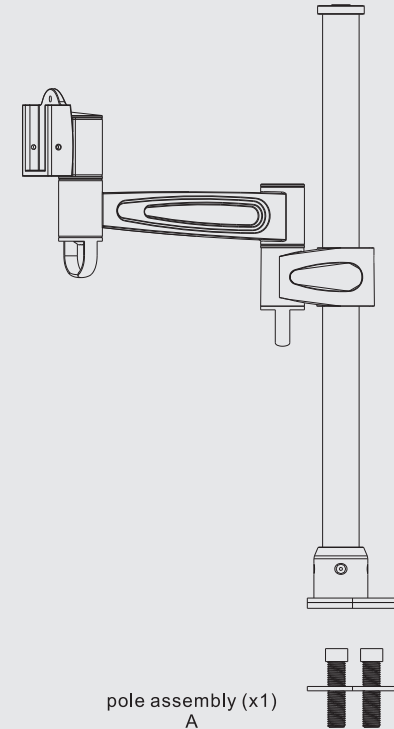
NOTE: Read the entire instruction manual before you start installation and assembly.

WARNING

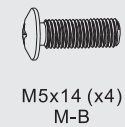
- Do not begin the installation until you have read and understood all the instructions and warnings contained in this installation sheet. If you have any questions regarding any of the instructions or warnings, please contact your local distributor.
- This mounting bracket was designed to be installed and utilised ONLY as specified in this manual. Improper installation of this product may cause damage or serious injury.
- Make sure that the supporting surface will safely support the combined weight of the equipment and all attached hardware and components.
- Tighten screws firmly, but do not over tighten. Over tightening can cause damage to the items, This greatly reduces their holding power.
- This product is intended for indoor use only. Using this product outdoors could lead to product failure and personal injury.

Component Checklist

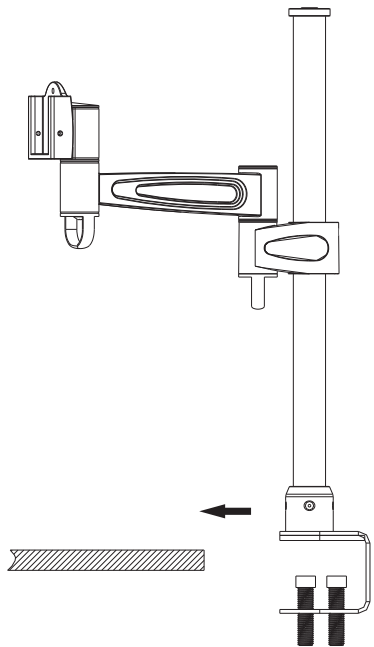
IMPORTANT: Ensure that you have received all parts according to the component checklist prior to installation. If any parts are missing or faulty, telephone your local distributor for a replacement.



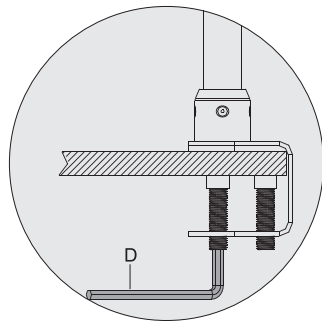
Package M



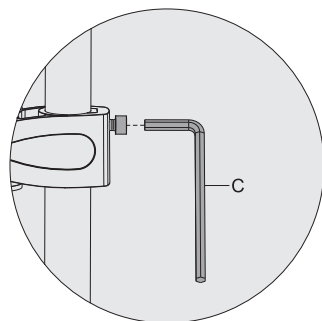
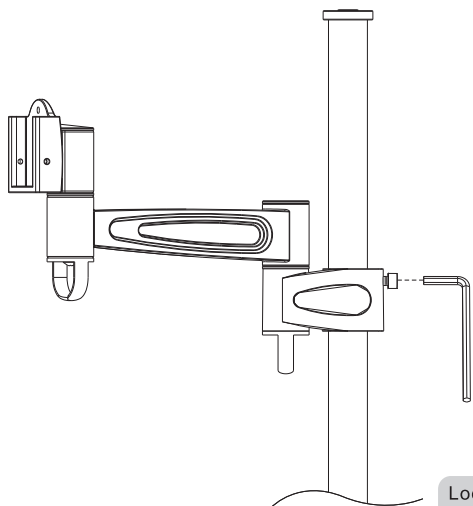
1. Installation to the Desk



- Determine the approximate location for mount keeping in mind display size, height adjustment and pitch/roll requirements.
- Slip the pole assembly over the edge of desk so that clamp fully contacts desk edge. Tighten two screws to adjust it to edge of desk and secure it tightly.

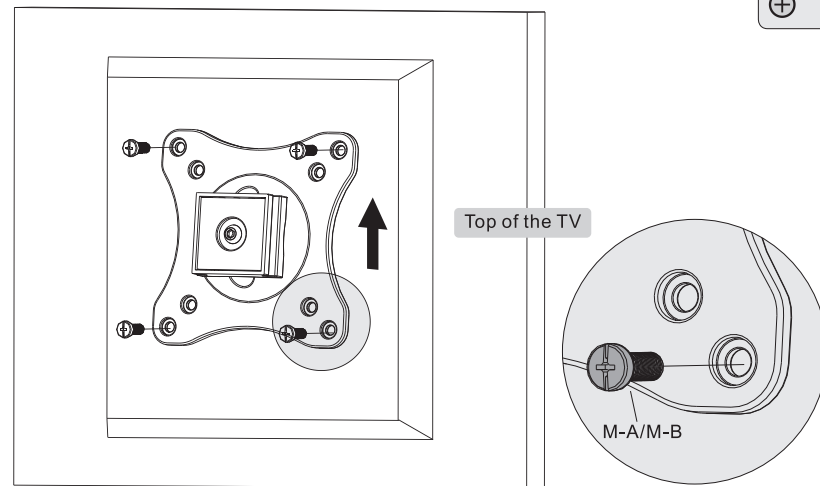
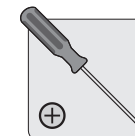
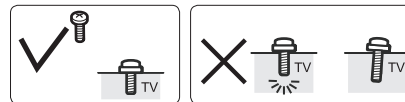


2. Height-Adjust



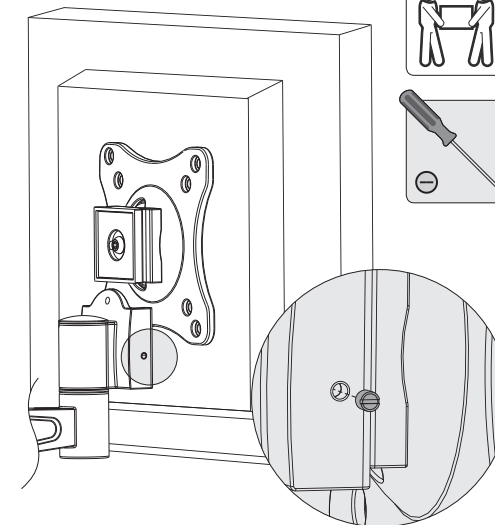
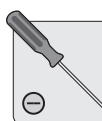
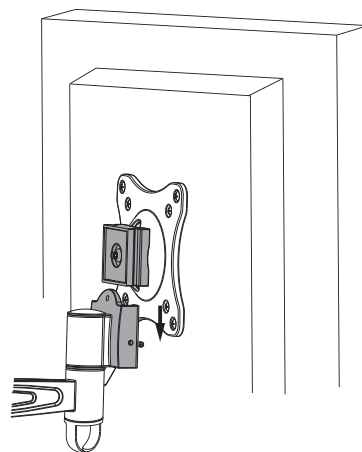
- Loosen the screw to adjust adapter bracket assembly to a desired position then tighten it.

3. Installing the VESA Plate

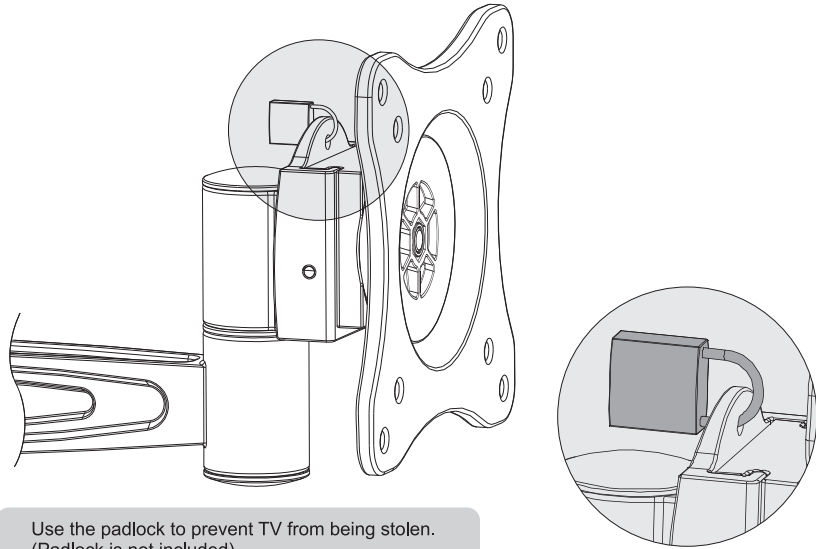


- Screw the VESA plate onto the display.
- ⚠ Tighten all screws but do not over tighten.

4. Hanging the TV onto the Wall Plate

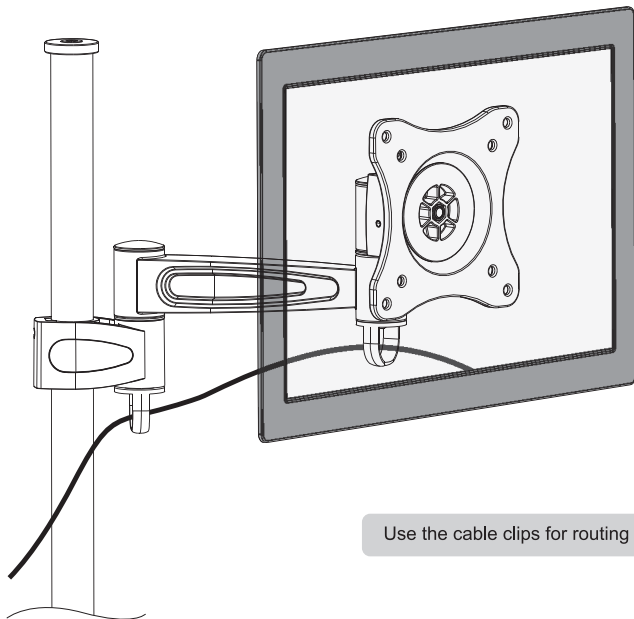


- Slowly fit the VESA plate into plate rail.
- Tighten both set screws to secure it.



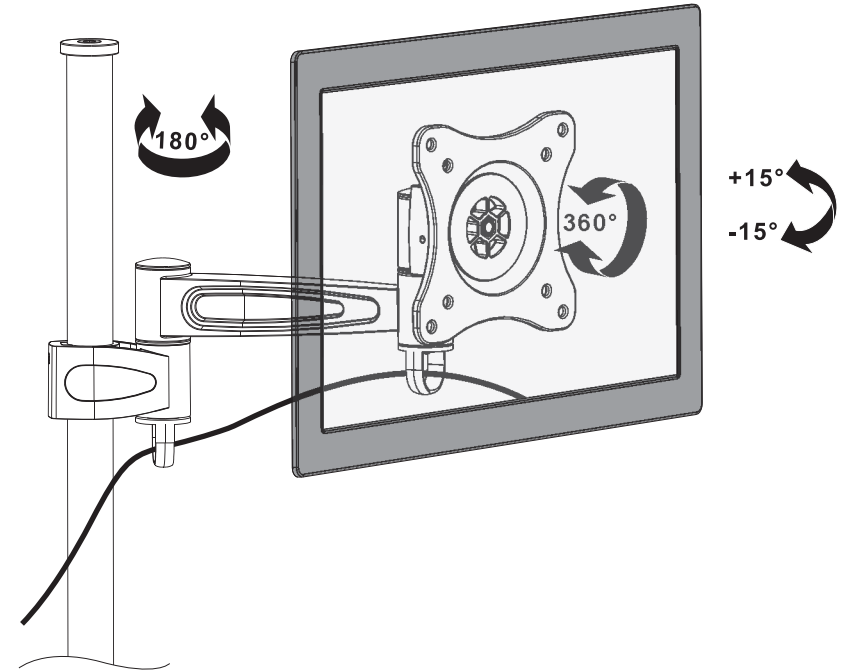
Use the padlock to prevent TV from being stolen.
(Padlock is not included)

5. Cable Management



Use the cable clips for routing cables.

6. Adjustment



Adjust to desired position or tilt.

Maintenance

- Check that the bracket is secure and safe to use at regular intervals(at least every three months).
- Please contact your distributor if you have any questions.